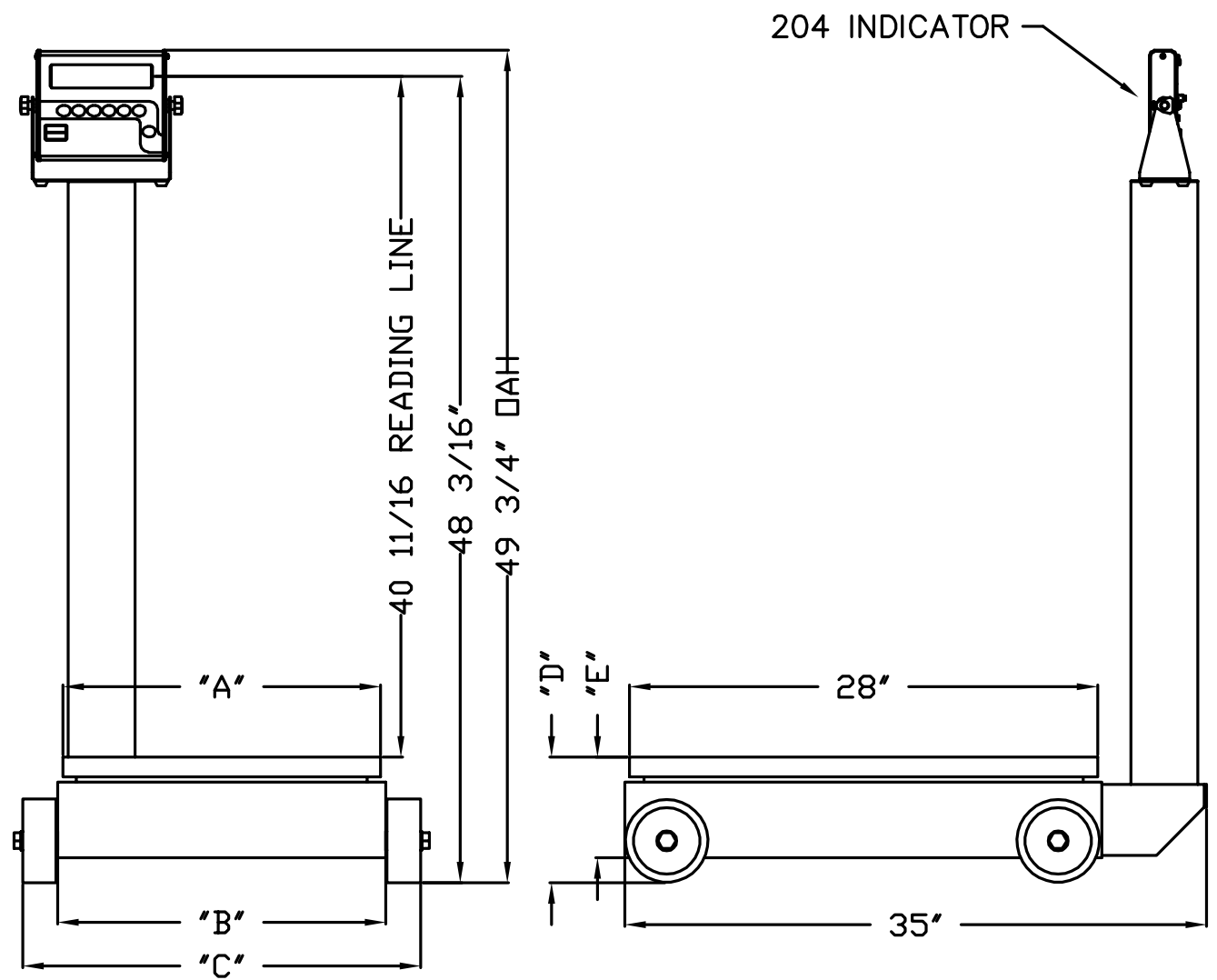


REVISION RECORD

LTR	DESCRIPTION	DATE	BY
A	RELEASED ECO 21279	2/1/01	GPL
B	204 WAS 758. RELATED DIM'S. ECO 21787	4/23/02	GPL



MODEL	A	B	C	D	E
X85XF-204	19"	19 5/8"	24 1/8"	7 1/2"	6"

QTY.	QTY.	QTY.	ITEM	PART/DWG. NUMBER	DESCRIPTION	MATERIAL OR SOURCE	WT. EACH	
			ASSY					
			WT.	PARTS/MATERIAL LIST				


UNLESS OTHERWISE SPECIFIED
TOLERANCE ON DIMENSIONS ARE:
 ANGLES ± 1/2°
 INTEGERS/FRACTIONS ± 1/16 IN.
 DECIMALS (.X) ± .03 IN.
 DECIMALS (.XX) ± .01 IN.
 DECIMALS (.XXX) ± .005 IN.
 NOTE: WHOLE NUMBERS MUST BE WRITTEN XX.000 TO INVOKE DECIMAL TOLERANCES.

Cardinal
Cardinal Scale Manufacturing Co.
 WEBB CITY, MISSOURI · USA · 64870

CARDINAL
 DETECTO
 FULLER WEIGHING SYSTEMS

TITLE DIMENSIONAL OUTLINE 585XF-204

THIS DRAWING IS THE PROPERTY OF THE CARDINAL SCALE MFG. CO. AND SHALL NOT BE USED NOR REPRODUCED EITHER WHOLLY OR IN PART EXCEPT WITH WRITTEN AUTHORIZATION. ALL RIGHTS OF DESIGN OR INVENTION ARE RESERVED.

SCALE	SCALE	DO NOT SCALE DRAWING	NEXT ASSEMBLY
DR. GPL	DATE 2/1/01		
CH.	DATE		
MODEL 5850F-204	SHEET 1 OF 1	DWG. NO. 0066-B247-0A	REV. B