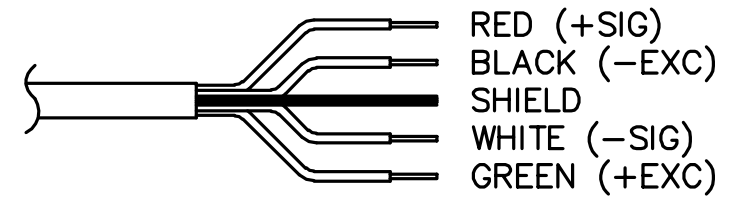
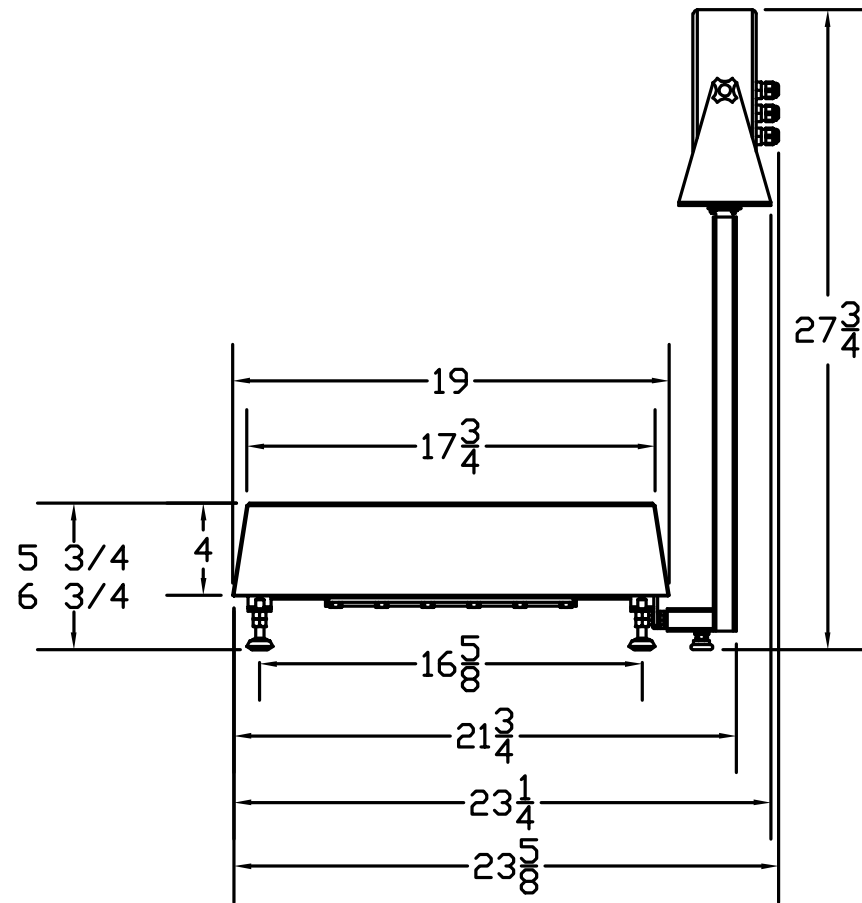
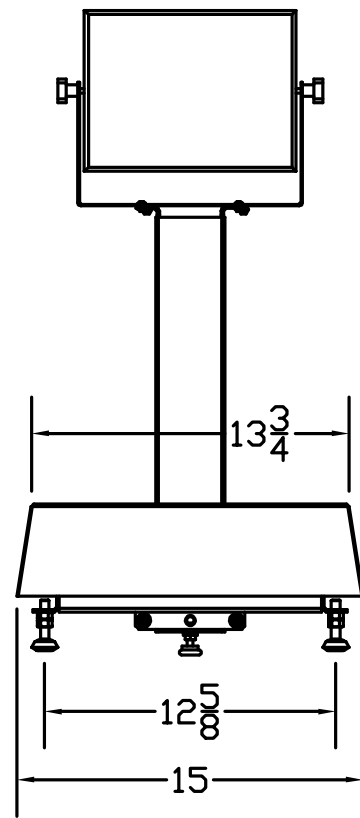


REVISION RECORD			
LTR	DESCRIPTION	DATE	BY
A	RELEASE FOR PRODUCTION	11/13/02	22188 BP



LOAD CELL WIRING (COLOR CODE)

QTY.	QTY.	QTY.	ITEM	PART/DWG. NUMBER	DESCRIPTION	MATERIAL OR SOURCE	WT. EACH
			ASSY				

WT.	PARTS/MATERIAL LIST						

UNLESS OTHERWISE SPECIFIED
TOLERANCE ON DIMENSIONS ARE:
ANGLES ± 1/2°
INTEGERS/FRACTIONS ± 1/16 IN.
DECIMALS (.X) ± .03 IN.
DECIMALS (.XX) ± .01 IN.
DECIMALS (.XXX) ± .005 IN.
NOTE: WHOLE NUMBERS MUST BE
WRITTEN XX.000 TO INVOKE
DECIMAL TOLERANCES.



CARDINAL
DETECTO
FULLER WEIGHING SYSTEMS

TITLE
DIMENSION OUTLINE

SCALE	SCALE	DO NOT SCALE DRAWING	NEXT ASSEMBLY
DR. BP	DATE 11/13/02		

CH.	DATE	

MODEL	SHEET	DWG. NO.	REV.
NB-	1 OF 1	1962-B167-GS	A

THIS DRAWING IS THE PROPERTY
OF THE CARDINAL SCALE MFG. CO.
AND SHALL NOT BE USED NOR RE-
PRODUCED EITHER WHOLLY OR IN
PART EXCEPT WITH WRITTEN AU-
THORIZATION. ALL RIGHTS OF DE-
SIGN OR INVENTION ARE RESERVED.

