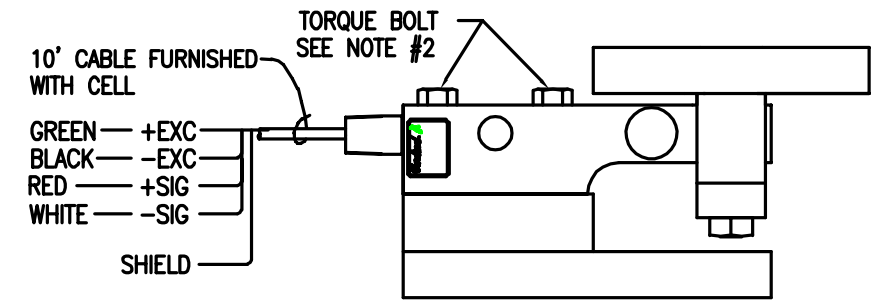


REVISION RECORD			
LTR	DESCRIPTION	DATE	BY
C	UPDATE TO SHOW 1/2-14NPTF CONNECTOR	3/29/95	14409 JAT
D	REMOVED SPLIT L WASHER AND FLAT WASHER	7/9/97	15726 RN/bs
E	ADD LOAD BUTTON IN TOP PLATE	9/22/03	22463 JAT/



- NOTES:**
- POSITION ITEM 3 INTO LOAD CELL, PASS ITEM 4 THRU EACH SIDE OF THE LOAD CELL AND PRESS FIT INTO ITEM 3 UNTIL IT BOTTOMS IN ITEM 3. TYPICAL 2 PLACES.
 - POSITION THE LOAD CELL ALONG WITH ITEMS 1 AND 2 AS SHOWN. FASTEN IN PLACE USING ITEMS 5. APPLY THE SPECIFIED FT/LB OF TORQUE TO ITEM 5 DURING ASSEMBLY (SEE CHART). TYPICAL 2 PLACES.
 - THE PURCHASERS OF FLOOR STAND TANK SCALES ARE ADVISED TO INSTALL SAFETY STAY RODS TO PREVENT TIPPING OF THE TANK. CARDINAL SCALE MFG. CO. WILL NOT BE RESPONSIBLE FOR THE STABILITY OF THE TANK.
 - USE ITEM 8 IN THE POSITION SHOWN FOR USE WITH THE 2500 lb LOAD CELL AND TURN IT UPSIDE DOWN FOR USE WITH THE 5000 lb LOAD CELL.
 - USE ITEM 8 IN THE POSITION SHOWN FOR USE WITH THE 10000 lb LOAD CELL AND TURN IT UPSIDE DOWN FOR USE WITH THE 20000 lb LOAD CELL.

QTY.	QTY.	QTY.	ITEM	PART/DWG. NUMBER	DESCRIPTION	MATERIAL OR SOURCE	WT. EACH
			ASSY				
			WT.	PARTS/MATERIAL LIST			

UNLESS OTHERWISE SPECIFIED TOLERANCE ON DIMENSIONS ARE:
 ANGLES ± 1/2°
 INTEGERS/FRACTIONS ± 1/16 IN.
 DECIMALS (.X) ± .03 IN.
 DECIMALS (.XX) ± .01 IN.
 DECIMALS (.XXX) ± .005 IN.
 NOTE: WHOLE NUMBERS MUST BE WRITTEN XX.000 TO INVOKE DECIMAL TOLERANCES.

Cardinal
 Cardinal Scale Manufacturing Co.
 WEBB CITY, MISSOURI · USA · 64870

CARDINAL DETECTO FULLER WEIGHING SYSTEMS

TITLE SHEAR BEAM CELL STAND DIMENSIONAL OUTLINE DRAWING

SCALE NONE	DO NOT SCALE DRAWING	NEXT ASSEMBLY	CUSTOMER DRAWING
DR. JAT	DATE 2/15/91		

CH.	DATE	DWG. NO. 3500-B092-0A	REV. E
MODEL	SHEET 1 OF 1		

MAT'L.	MODEL	WT	LOAD CELL MODEL NUMBER	A	B	C	D	E	F	G	H	J	K	L	M	N	TORQUE
STAINLESS STEEL	SBCSS-NC20	45.0	SB-10000S/SB-20000S	11"	6 15/32"	6 1/32"	0.8	4.5	0.8	4.5	6"	2.00	4.00	9"	1 1/2"	25/32#	300 ft/lb
	SBCSS-NC5	27.9	SB-2500S/SB-5000S	10 1/8"	5 7/16"	4 3/4"	1.0	4.0	0.5	3.0	4"	2.12	3.25	8"	1"	11/16#	100 ft/lb
MILD STEEL	SBCS-NC20	44.1	SB-10000S/SB-20000S	11"	6 15/32"	6 1/32"	0.8	4.5	0.8	4.5	6"	2.00	4.00	9"	1 1/2"	25/32#	300 ft/lb
	SBCS-NC5	27.2	SB-2500S/SB-5000S	10 1/8"	5 7/16"	4 3/4"	1.0	4.0	0.5	3.0	4"	2.12	3.25	8"	1"	11/16#	100 ft/lb

THIS DRAWING IS THE PROPERTY OF THE CARDINAL SCALE MFG. CO. AND SHALL NOT BE USED NOR REPRODUCED EITHER WHOLLY OR IN PART EXCEPT WITH WRITTEN AUTHORIZATION. ALL RIGHTS OF DESIGN OR INVENTION ARE RESERVED.