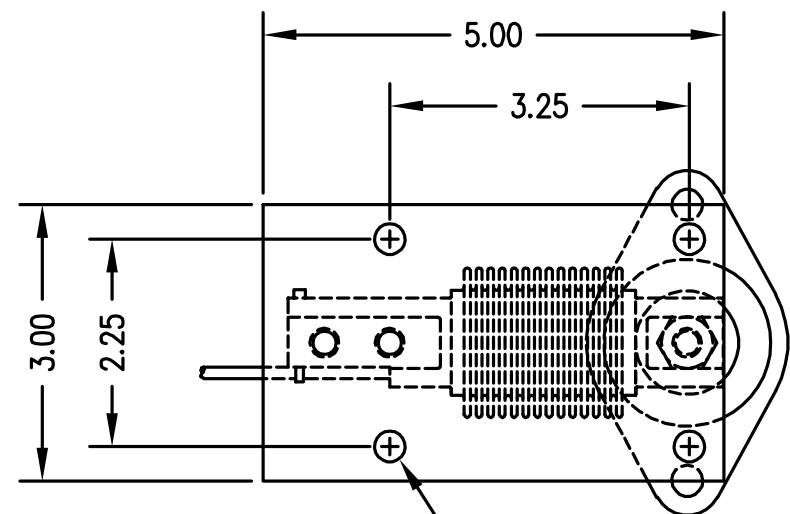
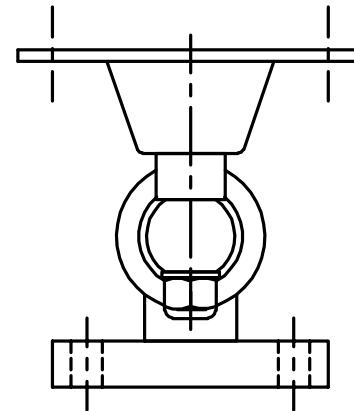
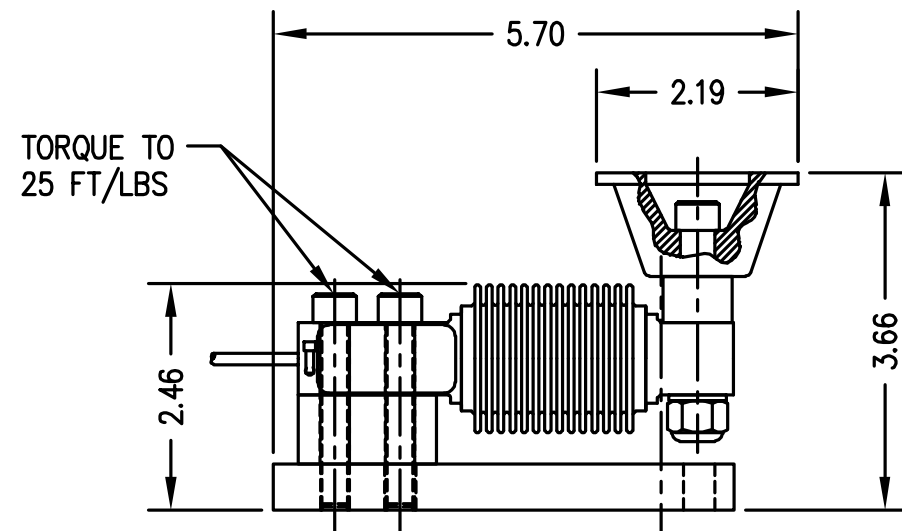




CLEARANCE HOLES FOR 5/16" BOLTS
TYPICAL 2 HOLES



CLEARANCE HOLES FOR 5/16" BOLTS
TYPICAL 4 HOLES

REVISION RECORD

LTR	DESCRIPTION	DATE	BY
A	RELEASED	3/1/01	21884 JAT

QTY.	QTY.	QTY.	ITEM	PART/DWG. NUMBER	DESCRIPTION	MATERIAL OR SOURCE	WT. EACH		
			ASSY						
			WT.	PARTS/MATERIAL LIST					
UNLESS OTHERWISE SPECIFIED TOLERANCE ON DIMENSIONS ARE: ANGLES $\pm 1/2^\circ$ INTEGERS/FRACTIONS $\pm 1/16$ IN. DECIMALS (.X) $\pm .03$ IN. DECIMALS (.XX) $\pm .01$ IN. DECIMALS (.XXX) $\pm .005$ IN. NOTE: WHOLE NUMBERS MUST BE WRITTEN XX.000 TO INVOKE DECIMAL TOLERANCES.				 Cardinal <small>Cardinal Scale Manufacturing Co. WEBB CITY, MISSOURI - USA - 64870</small>				CARDINAL DETECTO FULLER WEIGHING SYSTEMS	
THIS DRAWING IS THE PROPERTY OF THE CARDINAL SCALE MFG. CO. AND SHALL NOT BE USED NOR REPRODUCED EITHER WHOLLY OR IN PART EXCEPT WITH WRITTEN AUTHORIZATION. ALL RIGHTS OF DESIGN OR INVENTION ARE RESERVED.				TITLE OUTLINE DRAWING SMALL TANK WEIGHING KIT		SCALE HALF DO NOT SCALE DRAWING NEXT ASSEMBLY CUSTOMER DRAWING			
DR. TARNOWECKYI		DATE		3/1/01					
CH. GARY GARVEY		DATE		3/1/01		DWG. NO. 3500-B149-0A			
MODEL CBCS-XXKG		SHEET 1 OF 1		REV. A					