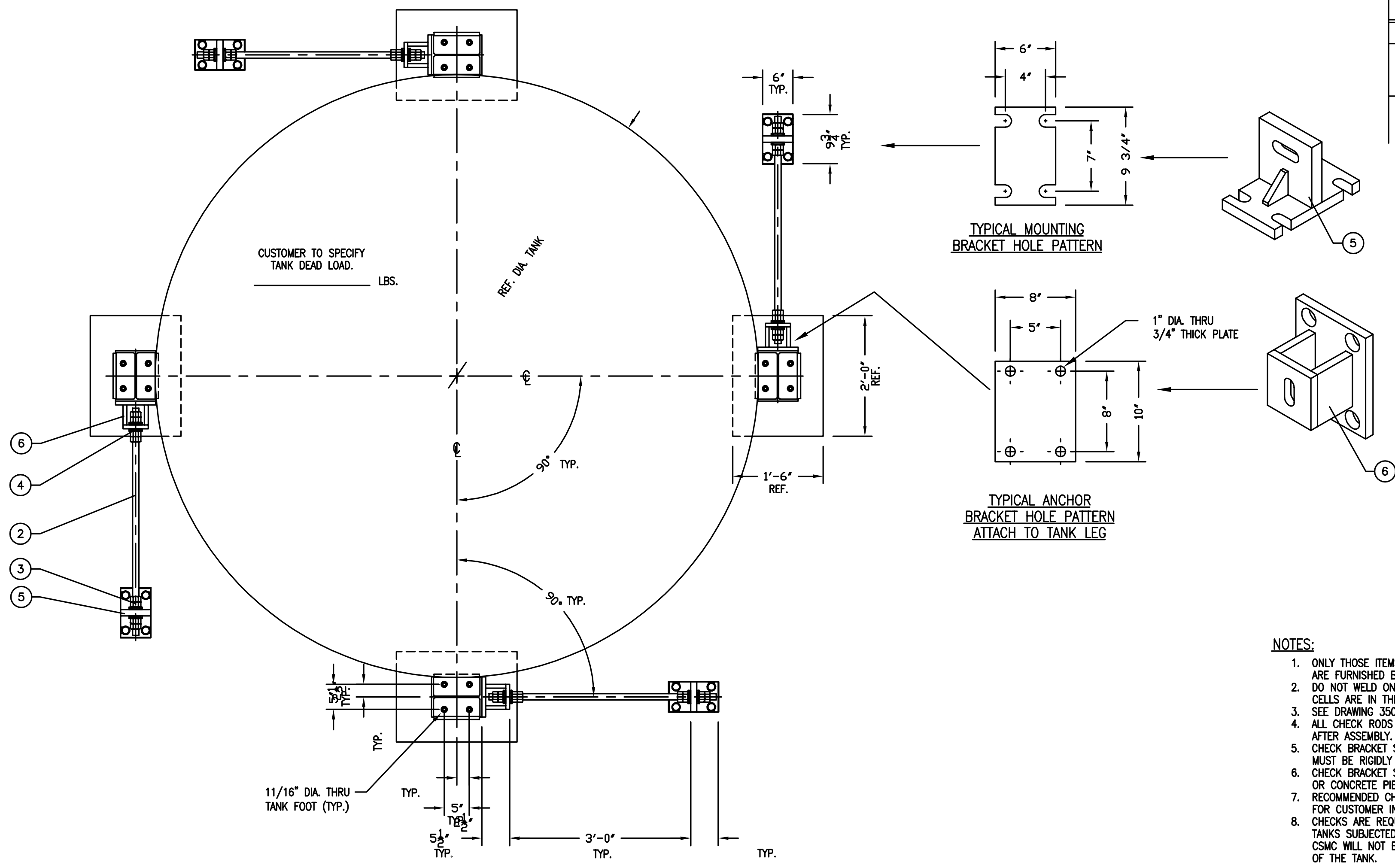
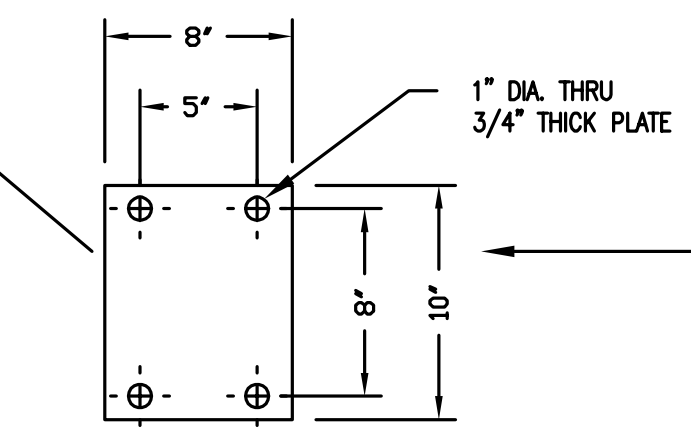


REVISION RECORD

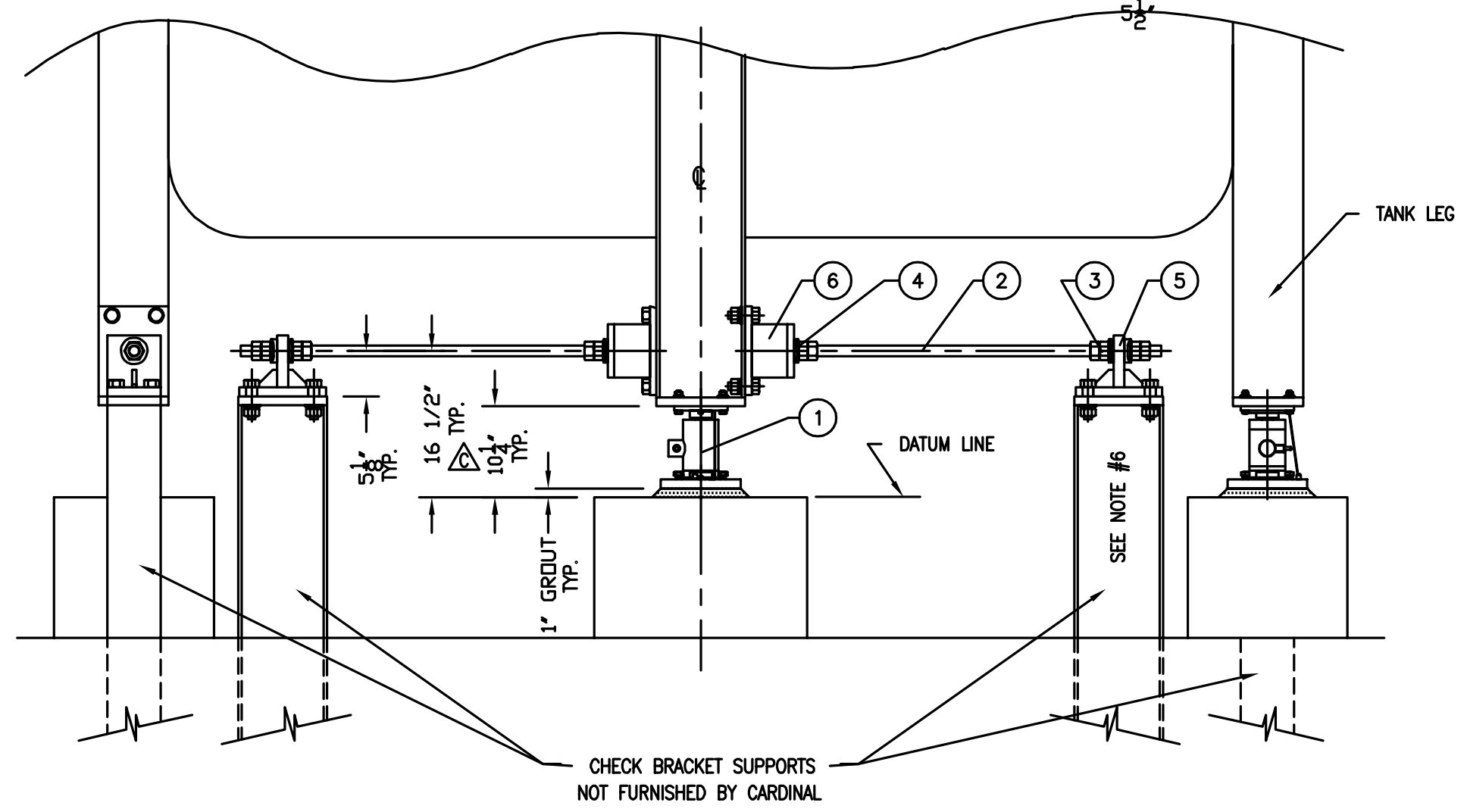
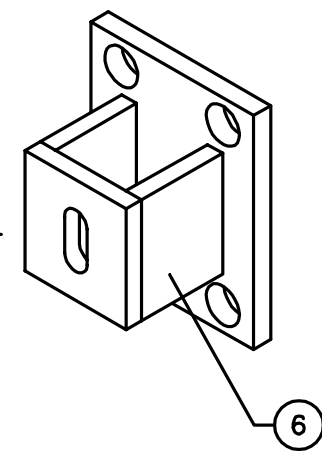
LTR	DESCRIPTION	DATE	BY
C	ADDED -1A VERSION; ITEM #1 P/N WAS 2970-C025-0A & CUST. DWG # WAS 3500-C073-0A; 10 1/4" DIM WAS 10" & 16 1/2" DIM WAS 16 1/4"	3/19/91	12126 JAT



TYPICAL MOUNTING BRACKET HOLE PATTERN



TYPICAL ANCHOR BRACKET HOLE PATTERN ATTACH TO TANK LEG



CHECK BRACKET SUPPORTS NOT FURNISHED BY CARDINAL

NOTES:

- ONLY THOSE ITEMS SHOWN IN THE PARTS/MATERIAL LIST ARE FURNISHED BY CARDINAL SCALE MFG. CO.
- DO NOT WELD ON STRUCTURE WHILE ELECTRONIC LOAD CELLS ARE IN THE SYSTEM.
- SEE DRAWING 3502-C008 FOR PROPER GROUNDING.
- ALL CHECK RODS MUST BE LEVEL AND TRUE TO PLANE AFTER ASSEMBLY.
- CHECK BRACKET SUPPORTS (NOT FURNISHED BY CARDINAL) MUST BE RIGIDLY ANCHORED.
- CHECK BRACKET SUPPORTS MAY BE FABRICATED STEEL, OR CONCRETE PIERS, PER CUSTOMERS DESIGN.
- RECOMMENDED CHECK ARRANGEMENT MAY BE ALTERED FOR CUSTOMER INSTALLATION.
- CHECKS ARE REQUIRED NEAR TOP OF TANK FOR TALL TANKS SUBJECTED TO LATERAL (OVERTURNING) FORCES. CSMC WILL NOT BE RESPONSIBLE FOR THE STABILITY OF THE TANK.

QTY.	QTY.	QTY.	ITEM	PART/DWG. NUMBER	DESCRIPTION	MATERIAL OR SOURCE	WT. EACH
4	---	7	2970-C068-0A	LOAD CELL ASSY.	CUSTOMER DWG: 3500-B094-0A		46.5
4	4	6	0149-B036	ANCHOR BRACKET			33.6
4	4	5	0149-B035	MOUNTING BRACKET			30.0
16	16	4	0142-B184-0A	SPHERICAL WASHER			0.66
32	32	3	6013-0176	HEX NUT	1 1/4"-7 UNC-2B		0.56
4	4	2	3501-B050	CHECK ROD			15.9
---	4	1	2970-C086-0A	LOAD CELL ASSY.	CUSTOMER DWG: 3500-B089-0A		46.5

PARTS/MATERIAL LIST		
532.5	532.5	WT.
UNLESS OTHERWISE SPECIFIED TOLERANCE ON DIMENSIONS ARE: ANGLES ± 1/2° INTEGERS/FRACTIONS ± 1/16 IN. DECIMALS (.X) ± .03 IN. DECIMALS (.XX) ± .01 IN. DECIMALS (.XXX) ± .005 IN. NOTE: WHOLE NUMBERS MUST BE WRITTEN XX.000 TO INVOKE DECIMAL TOLERANCES.		
 CARDINAL DETECTO FULLER WEIGHING SYSTEMS TITLE REFERENCE TO 50,000 LB LOAD CELL ASSY. & CHECKING ARRANGEMENT SCALE NONE DO NOT SCALE DRAWING NEXT ASSEMBLY DR. JAT DATE 4/9/87 CH. GG DATE 4/10/87 MODEL SHEET 1 OF 1 DWG. NO. 3502-C111-0A REV. C THIS DRAWING IS THE PROPERTY OF THE CARDINAL SCALE MFG. CO. AND SHALL NOT BE USED NOR REPRODUCED EITHER WHOLLY OR IN PART EXCEPT WITH WRITTEN AUTHORIZATION. ALL RIGHTS OF DESIGN OR INVENTION ARE RESERVED.		