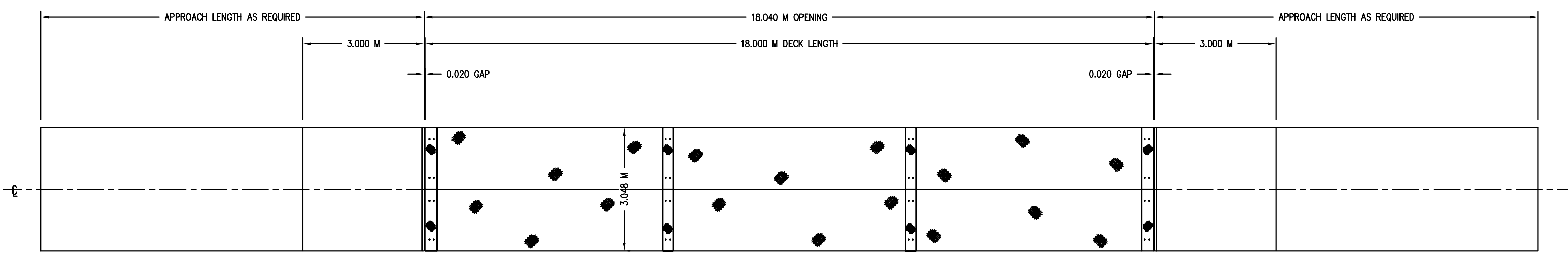
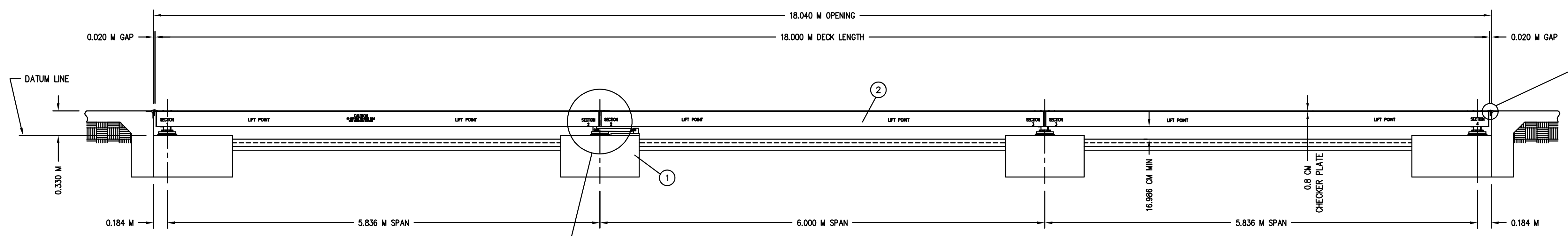
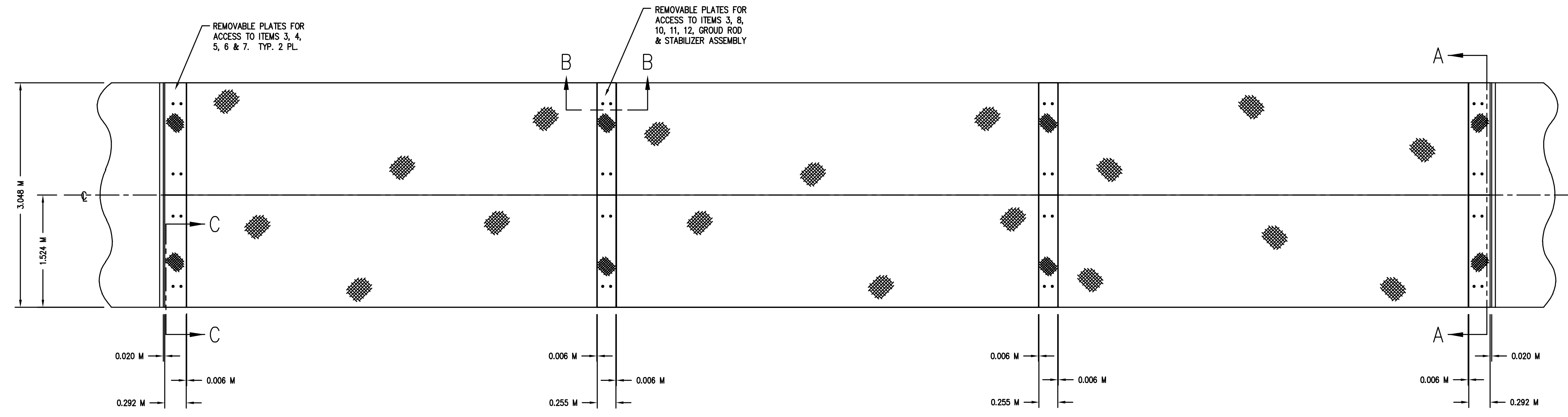


IMPORTANT! If your scale is equipped with access ways, such as manholes, it is the users responsibility to provide proper protection such as barriers, during the time they are open or removed.

REVISION RECORD			
LTR	DESCRIPTION	DATE	BY
A	RELEASED	10/14/02	JAT

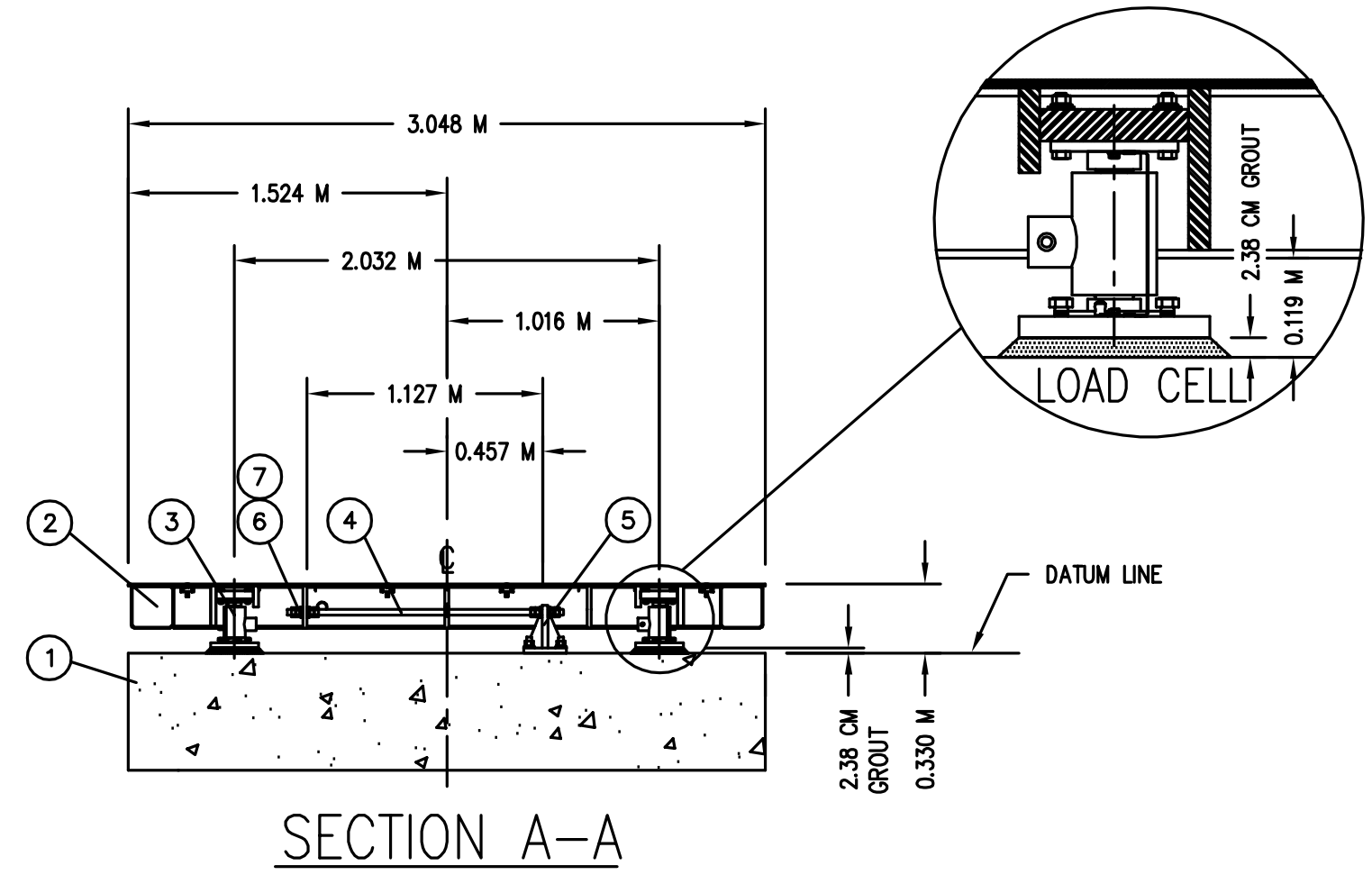
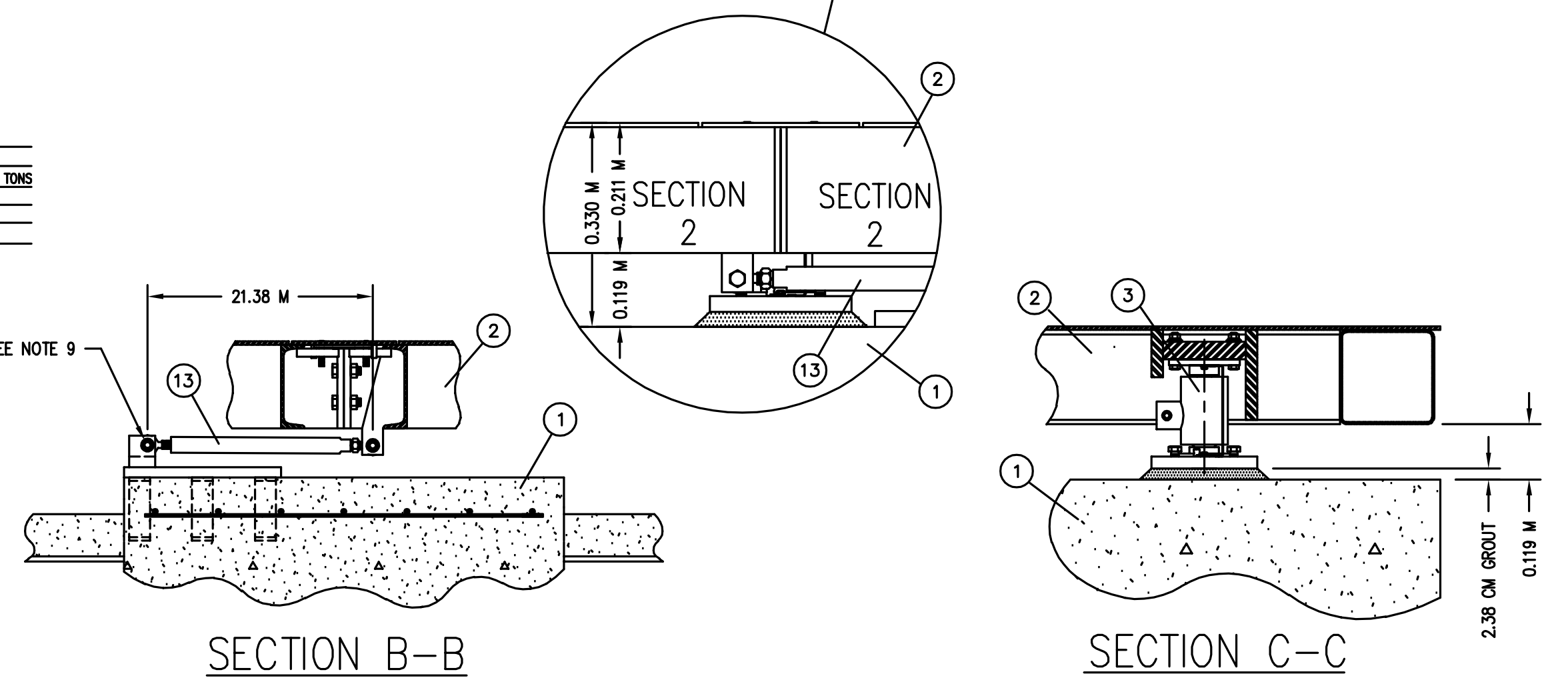


PLAN VIEW GENERAL ARRANGEMENT



- NOTES:**
- CAUTION: DO NOT WELD ON THE SCALE WHILE THE LOAD CELLS ARE IN PLACE.
 - REFER TO THE INSTALLATION MANUAL FOR PROPER ELECTRICAL GROUNDING SPECIFICATIONS.
 - THE WEIGHBRIDGE IS SUPPLIED IN THREE MODULES. MAXIMUM LIFT PER MODULE IS 3,000 KG.
 - ADJUST THE LOAD CELL ASSEMBLIES TO THE PROPER ELEVATION AND GROUT IN PLACE. GROUT SHALL BE OF AN APPROVED NON-SHRINKING EPOXY TYPE ONLY. REF: U.S. GROUT CORP., 5-STAR; SIKKA CHEMICAL; REYNOLD; OR EQUAL.
 - ALL LATERAL STABILIZERS SHALL BE LEVEL AND TRUE TO PLANE BOTH HORIZONTALLY AND VERTICALLY AFTER THE SCALE HAS BEEN COMPLETELY SET.
 - THE WEIGHT INDICATOR IS SHOWN ON A SEPARATE DRAWING.
 - SAFETY BARRIERS ARE A USER/OWNER RESPONSIBILITY TO PREVENT VEHICLES FROM RUNNING OFF THE SIDES OF THE SCALE. FOR THE SAFETY OF VEHICLES USING THIS SCALE, SIDE RAILS AND/OR PROTECTIVE POSTS ARE AVAILABLE AS OPTIONAL EQUIPMENT.
 - THE 16,986 CM MINIMUM CLEARANCE UNDER THE SCALE MUST BE MAINTAINED THE FULL LENGTH OF THE SCALE EXCEPT AT THE LOAD CELL PIER AREAS.
 - SEE INSTALLATION MANUAL (8525-M187-01) FOR STABILIZER INSTALLATION INSTRUCTIONS.
 - CARDINAL SCALE MFG. CO. RECOMMENDS THAT THE CUSTOMER INSTALL PROTECTIVE CONDUIT/COVER FOR THE LOAD CELL CABLES WHENEVER THE CONDITION IS PRESENT THAT CAN RESULT IN DAMAGE OR ABRASION TO THE LOAD CELL CABLES.
 - WRAP EXCESS LOAD CELL CABLES AROUND CABLE BRACKETS. THE CABLE BRACKETS ARE LOCATED UNDER THE ACCESS COVERS.

MODEL 8018PRC-1
 NOMINAL CAPACITY 80 METRIC TONS
 U.S.—CONCENTRATED LOAD CAPACITY 40 METRIC TONS
 CANADA—SECTIONAL CAPACITY 50 METRIC TONS
 CANADA—S.W.A. NO. —14137
 SERIAL NUMBER "SALES ORDER NUMBER"
 NOMINAL CAPACITY IS THE GROSS CAPACITY AS ASSIGNED BY THE MANUFACTURER.
 CONCENTRATED LOAD CAPACITY (CLC) AS ASSIGNED BY THE MANUFACTURER, IS THE LOAD WHICH CAN BE PLACED ANYWHERE ON THE PLATFORM IN THE PRESCRIBED TEST PATTERN.
 SECTIONAL CAPACITY IS THE MAXIMUM LOADING FOR EACH PAIR OF LOAD CELLS AS ADJACENT PLATFORMS (SPANS) ARE LOADED.



QTY.	QTY.	QTY.	ITEM	PART/DWG. NUMBER	DESCRIPTION	MATERIAL OR SOURCE	WT. EACH
2	13		0147-B422-0A		STABILIZER ASSEMBLY		27.7
4	12		6024-0039		LOCK WASHER	1/4"	0.01
4	11		6013-0045		HEX NUTS	1/4-20 UNC-2B	0.01
4	10		6007-0011		HEX HEAD BOLT	1/4-20 UNC-2A X 2.5 CM	0.01
305	9		BY OTHERS		RUBBER COVER STRIP		
1	8		3502-D363-0A		INTERCONNECTION ASSY		55.9
15	7		6013-0165		HEX NUTS	1"-8 UNC-2B	0.7
8	6		0145-B011-0A		SPHERICAL WASHER		0.9
2	5		0145-C008-0A		LATERAL STABILIZER BRACKETS --- TALL		56.1
2	4		0147-B162-08		LATERAL STABILIZER	132 CM	29.5
8	3		2970-C086-0A		LOAD CELL SUPPORT ASSEMBLY	SEE INSTALLATION MANUAL	120.9
1	2		0108-D025-0A		WEIGHBRIDGE SCHEMATIC		8111
1	1		0108-D024-0A		FOUNDATION PLAN		36.6

UNLESS OTHERWISE SPECIFIED TOLERANCE ON DIMENSIONS ARE:
 ANGLES ± 1/2°
 INTEGERS/FRACTIONS ± 1.5 mm

Cardinal
 Cardinal Scale Manufacturing Co.
 DETROIT, MICHIGAN 48226-1970

Cardinal DETECTO FULLER WEIGHING SYSTEMS

TITLE: FINAL ASSEMBLY
 FULL ELECTRONIC, HIPLESS MOTOR TRUCK SCALE
 4-SECTION; 80 METRIC TON CAP; 18.0 M X 3.048 M X 0.008 M CHECKER DECK

SCALE N.T.S. DO NOT SCALE DRAWING NEXT ASSEMBLY

DR. TARNOWECKY DATE 10/14/02
 CH. M. L. SMITH DATE 10/14/02

THIS DRAWING IS THE PROPERTY OF THE CARDINAL SCALE MFG. CO. AND SHALL NOT BE USED NOR REPRODUCED EITHER WHOLLY OR IN PART EXCEPT WITH WRITTEN AUTHORIZATION. ALL RIGHTS OF DESIGN OR INVENTION ARE RESERVED.

MODEL 8018PRC-1 METRIC SHEET 1 OF 1 DWG. NO. 0108-D023-0A REV. A