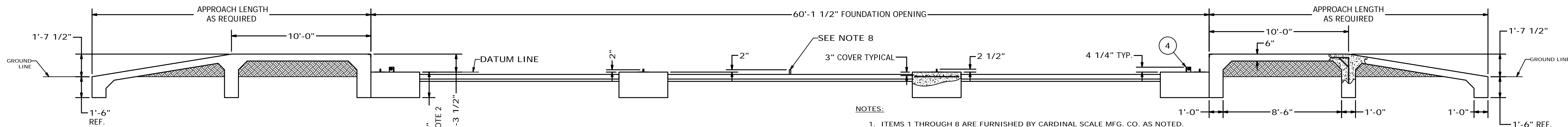
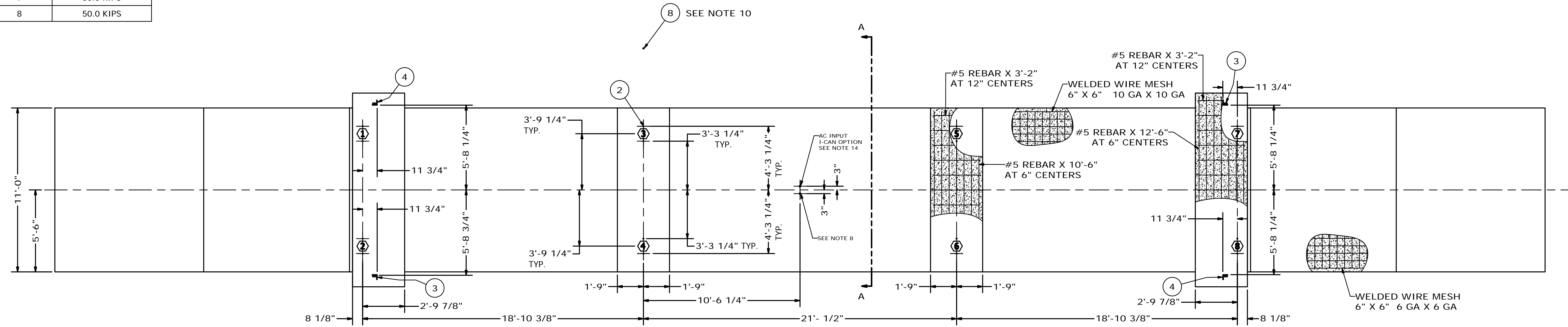
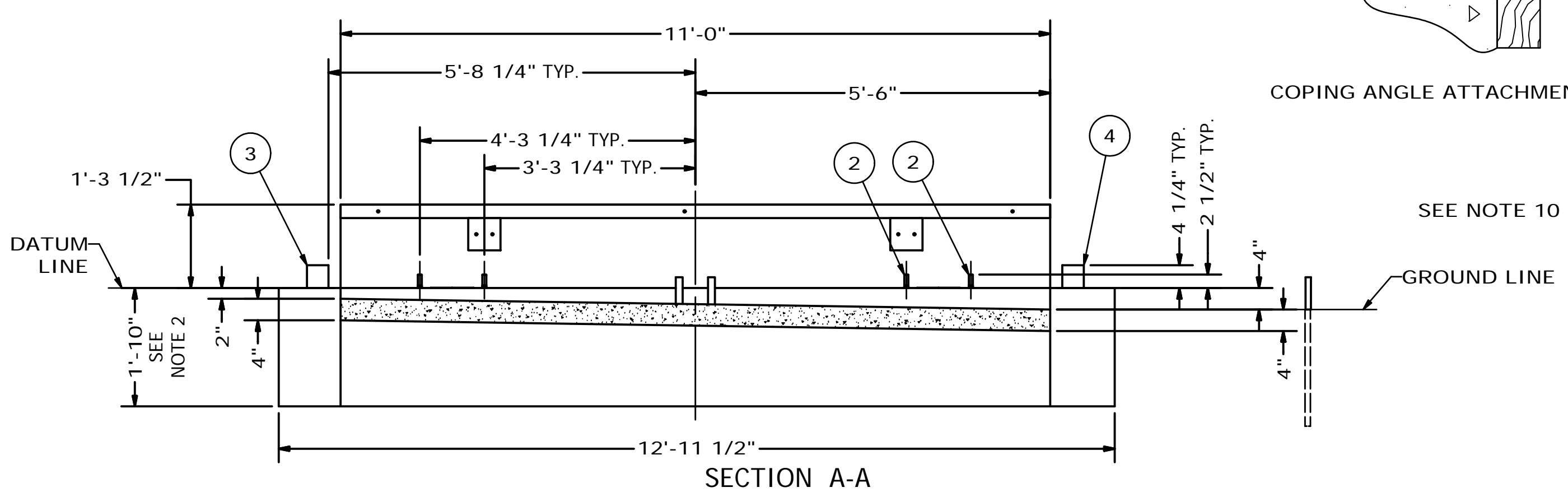
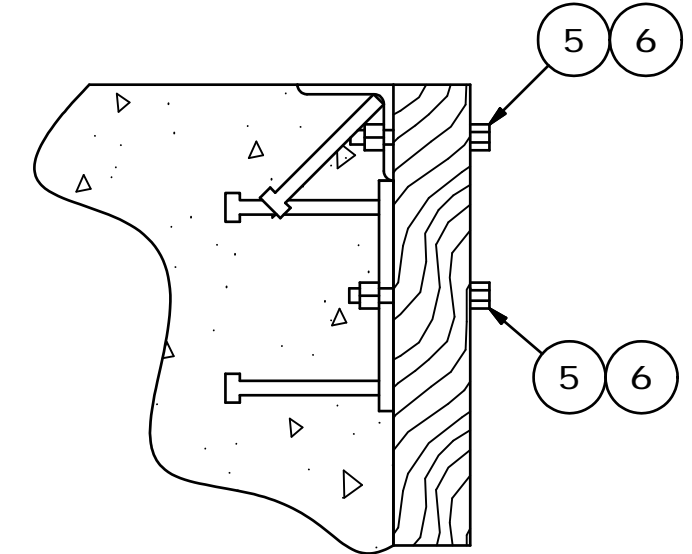


REVISION HISTORY			
LTR	DESCRIPTION	DATE	BY
A	RELEASE FOR PRODUCTION	11/12/09	24829 ADB

PIER LOADINGS AT 45 TON CLC	
LOAD CELL	LOADING
1	50.0 KIPS
2	50.0 KIPS
3	56.0 KIPS
4	56.0 KIPS
5	56.0 KIPS
6	56.0 KIPS
7	50.0 KIPS
8	50.0 KIPS



- NOTES:**
- ITEMS 1 THROUGH 8 ARE FURNISHED BY CARDINAL SCALE MFG. CO. AS NOTED.
 - THE SCALE FOUNDATION AS SHOWN IS SUFFICIENT FOR FIRM SOIL AND GOOD CONCRETE. THE MINIMUM SOIL BEARING SHALL BE 3,000 POUNDS PER SQUARE FOOT AND THE MINIMUM CONCRETE STRENGTH SHALL BE 3,000 POUNDS PER SQUARE INCH, 28 DAY. FOR UNUSUAL SOIL CONDITIONS OR DEEP FROST PENETRATION, ALTER THE FOUNDATION AS REQUIRED. THE FOOTING SHALL BE BELOW THE FROST LINE.
 - CARDINAL SCALE MFG. CO. SHALL NOT BE RESPONSIBLE FOR THE STABILITY OF THE FOUNDATION.
 - THE FOUNDATION CONTRACTOR SHALL CONTACT THE STATE WEIGHT AND MEASURES DIVISION FOR STATE FOUNDATION REQUIREMENTS.
 - WORK FROM THE CENTERLINES WHEN ERECTING FORMS AND SETTING BOLTS.
 - ON THE APPROACH END OR ENDS OF A VEHICLE SCALE INSTALLED IN ANY ONE LOCATION FOR A PERIOD OF SIX MONTHS OR MORE, THERE SHALL BE A STRAIGHT APPROACH AS FOLLOWS:
(A) AT LEAST THE WIDTH OF THE PLATFORM AND
(B) AT LEAST ONE-HALF THE LENGTH OF THE PLATFORM BUT NOT REQUIRED TO BE MORE THAN 40 FEET, AND
(C) NOT LESS THAN 10 FEET OF ANY APPROACH ADJACENT TO THE PLATFORM SHALL BE CONSTRUCTED OF CONCRETE OR SIMILAR DURABLE MATERIAL TO INSURE THAT THIS PORTION REMAINS SMOOTH AND LEVEL AND IN THE SAME PLANE AS THE PLATFORM. HOWEVER, GRATING OF SUFFICIENT STRENGTH TO WITHSTAND ALL LOADS MAY BE INSTALLED IN THIS PORTION; AND FURTHER WHERE DEEMED NECESSARY FOR DRAINAGE PURPOSES, THE REMAINING PORTION OF THE APPROACH MAY SLOPE SLIGHTLY.
 - EXCAVATION AND CONCRETE REQUIRED FOR SCALE FOUNDATION AS SHOWN:
MAIN PIERS: 10.6 CU. YDS. EXCAVATION; 13.9 CU. YDS. CONCRETE
SLAB FLOOR: 4.7 CU. YDS. EXCAVATION; 6.3 CU. YDS. CONCRETE
APPROACHES (10'-0" EACH END): 7.4 CU. YDS. FILL;
3.7 CU. YDS. CONCRETE.
 - TRANSMISSION CABLE FROM LOAD CELL TO INDICATOR SHALL BE IN 1 1/2" MINIMUM SIZE CONDUIT AT LEAST 24" FROM THE CLOSEST ELECTRICAL LINE. THEY MAY CROSS AT 90° ONLY.
CAUTION: DO NOT WELD ON STRUCTURE WHILE THE LOAD CELLS ARE IN THE SYSTEM.
 - REFER TO DRAWING 3502-C435-GS FOR PROPER ELECTRICAL GROUNDING SPECIFICATIONS.
 - REINFORCING ROD AND WELDED WIRE MESH ARE NOT FURNISHED BY CARDINAL SCALE MFG. CO. THE REBAR SHALL CONFORM TO ASTM A615, GRADE 60. THE WELDED WIRE MESH SHALL CONFORM TO ASTM A-185.
 - TOP OF PIERS ARE TO BE SMOOTH AND LEVEL WITHIN ±1/8". (ALL PIERS ARE TO BE WITHIN 1/4".)
 - ITEM 2 IS SUPPLIED BY CARDINAL SCALE MFG. CO. ONLY WHEN REQUESTED.
 - THIS 1 1/2" CONDUIT IS FOR THE OPTIONAL AC INPUT LINE. THIS IS FOR THE I-CAN INTERCONNECTION OPTION ONLY.



For Reference Only

QTY.	QTY.	QTY.	ITEM ASSY.	PART/DWG. NUMBER	DESCRIPTION	MATERIAL OR SOURCE	WT. EACH
1	7		3502-8006-68		GROUNDING KIT		15.8
14	6		6013-0065		HEX NUT	3/8-16 UNC-2B	.01
14	5		6007-0050		HEX HEAD BOLT	3/8-16UNC-2A X 1 1/2"	.06
2	4		0105-D221-0A		CHECK STAND, EMBEDDED		18.5
2	3		0105-D221-1A		CHECK STAND, EMBEDDED		18.5
16	2		BY OTHERS		HEX BOLT	3/4" -10UNC-2A X 10"	1.3
2	1		0105-B225-0A		COPING ANGLE ASSEMBLY		59.3

QTY.	QTY.	QTY.	WT.	ITEM ASSY.	PART/DWG. NUMBER	DESCRIPTION	MATERIAL OR SOURCE	WT. EACH
230.2								

PARTS/MATERIAL LIST			
UNLESS OTHERWISE SPECIFIED TOLERANCE ON DIMENSIONS ARE: ANGLES ± 1/2" INTEGERS/FRACTIONS ± 1/16 IN. DECIMALS (X) ± .03 IN. DECIMALS (XX) ± .01 IN. DECIMALS (XXX) ± .005 IN. NOTE: WHOLE NUMBERS MUST BE WRITTEN XX.000 TO INVOKE DECIMAL TOLERANCES.	 Cardinal Cardinal Scale Manufacturing Co. WEBB CITY, MISSOURI, USA 64870	CARDINAL DETECTO FULLER WEIGHING SYSTEMS	
TITLE: FOUNDATION PLAN (0'-1 1/2" X 11'-0"; 135 TON CAPACITY; 45 TON CLC)			
SCALE: NTS	DO NOT SCALE DRAWING	NEXT ASSEMBLY	0105-D237-0A 0105-D234-0A
DR. ADB	DATE 11/11/09		
CH.	DATE		
MODEL 11060-EPR	SHEET 1	DWG. NO. 0105-D235-0A	REV. A