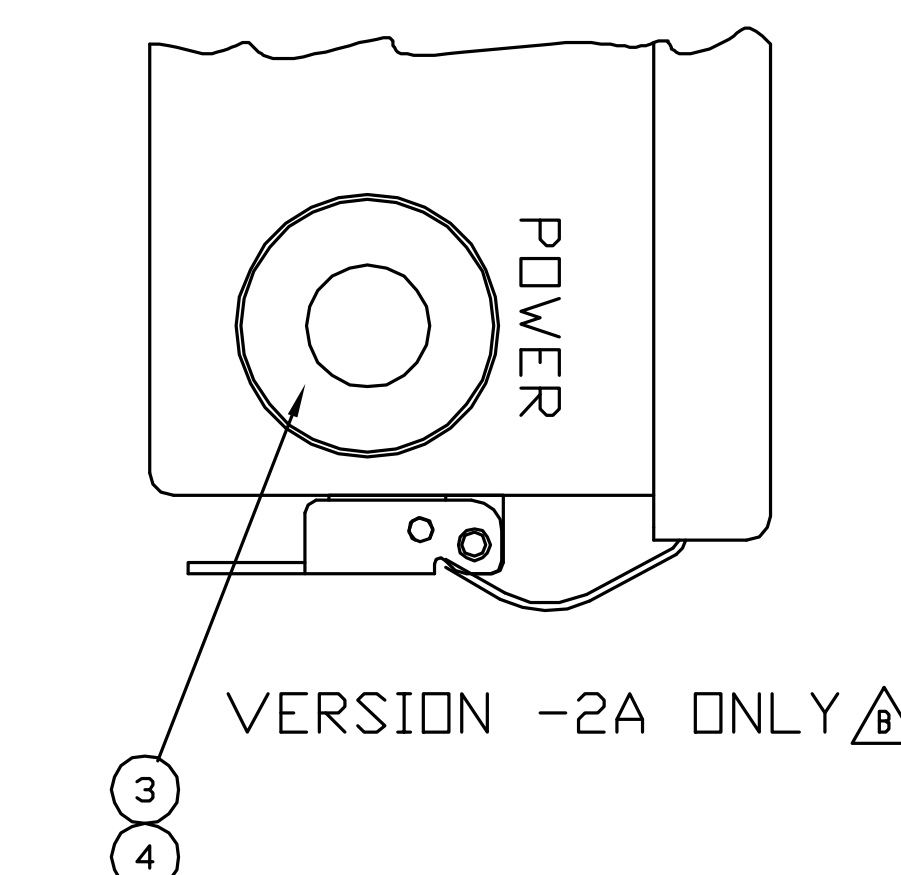
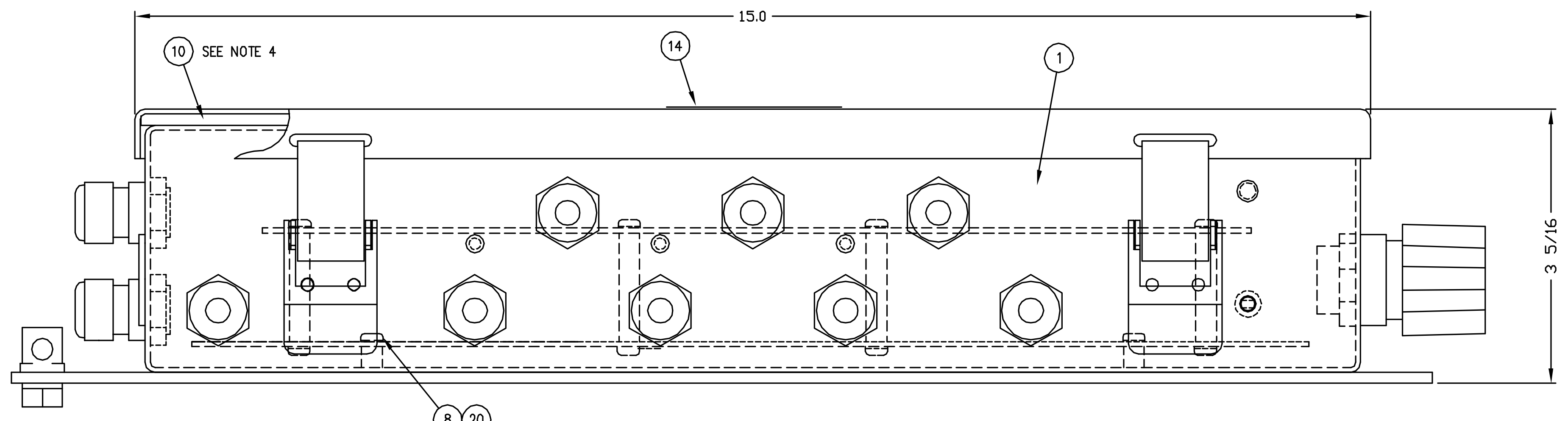
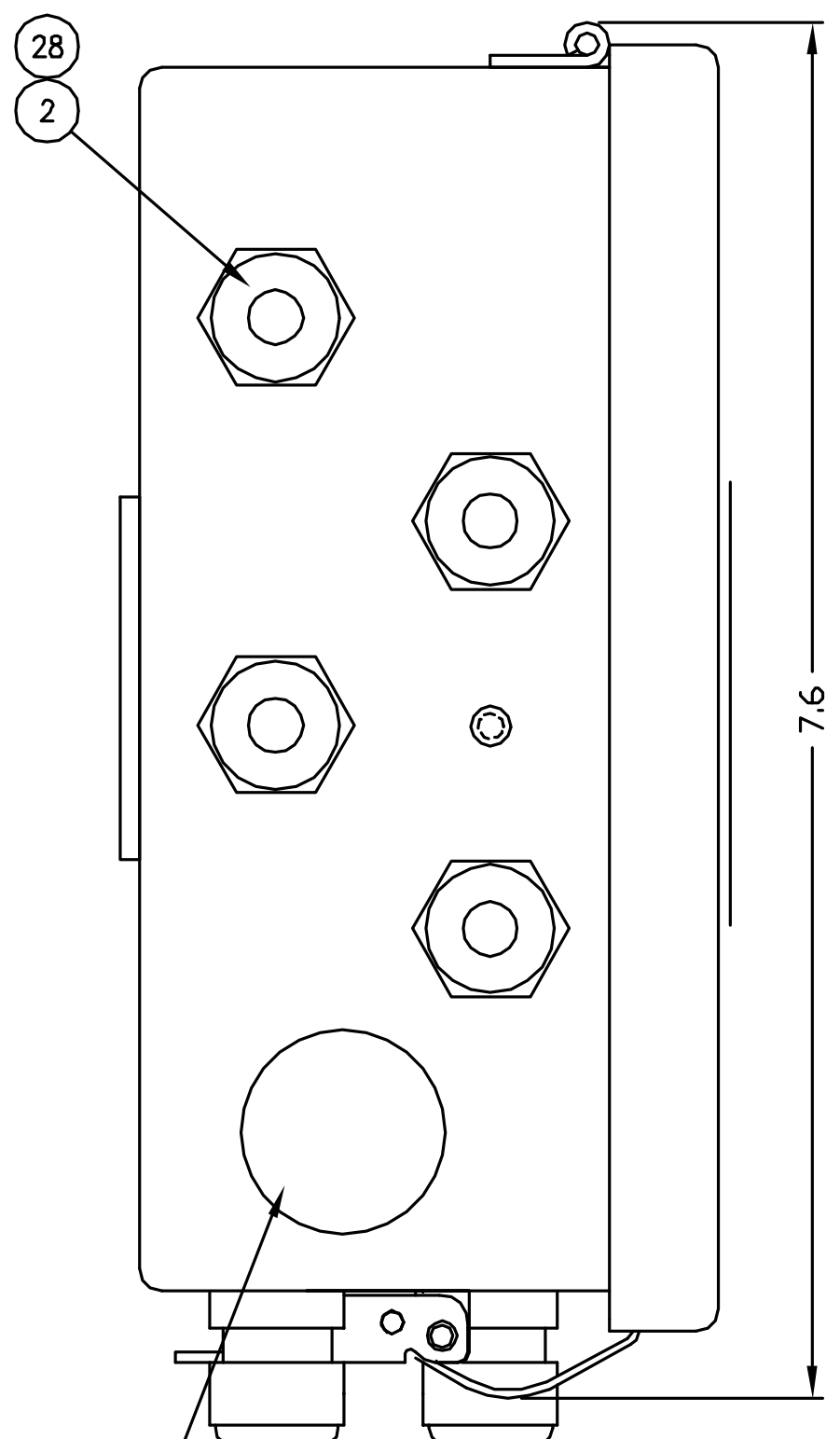
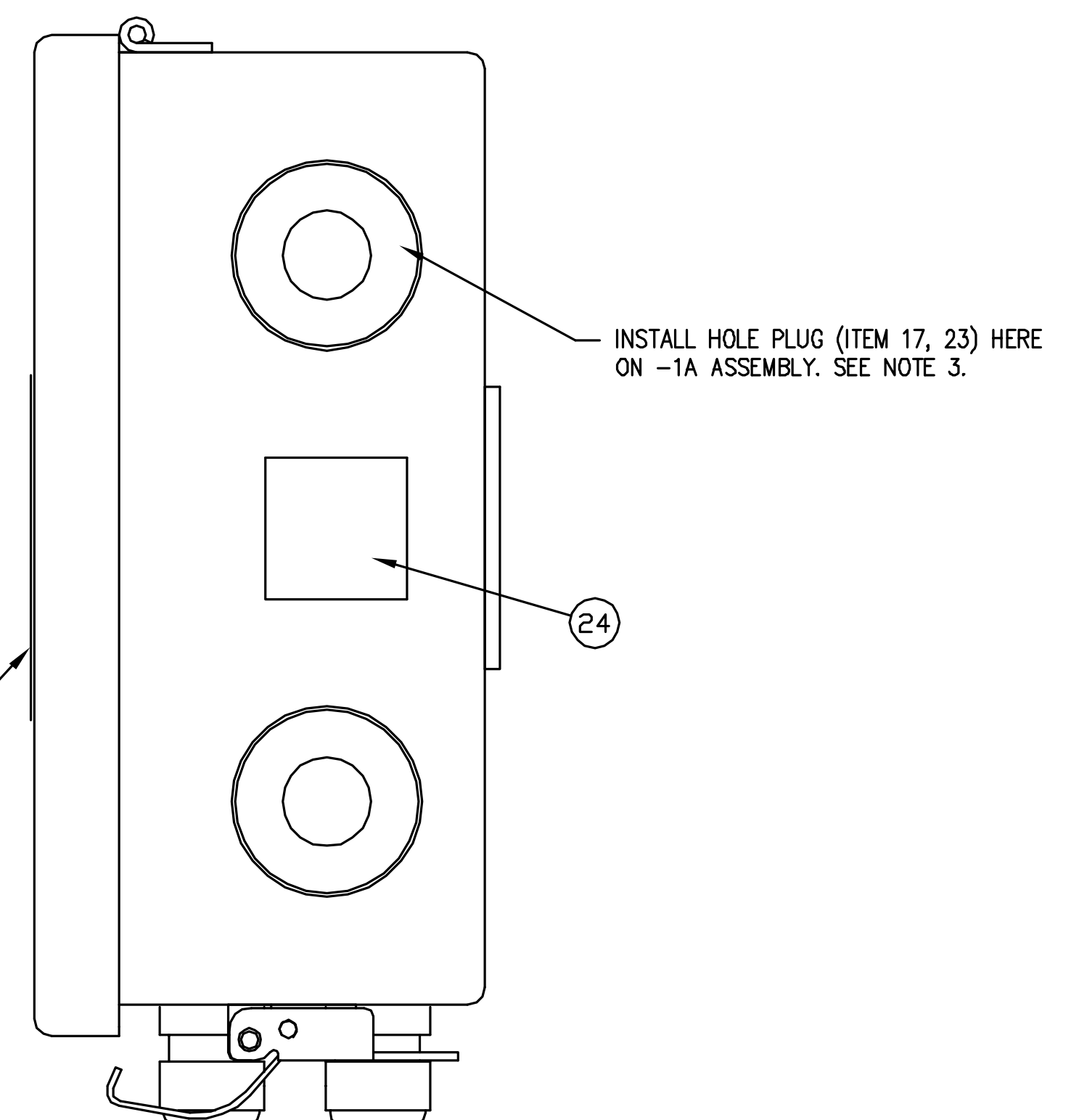
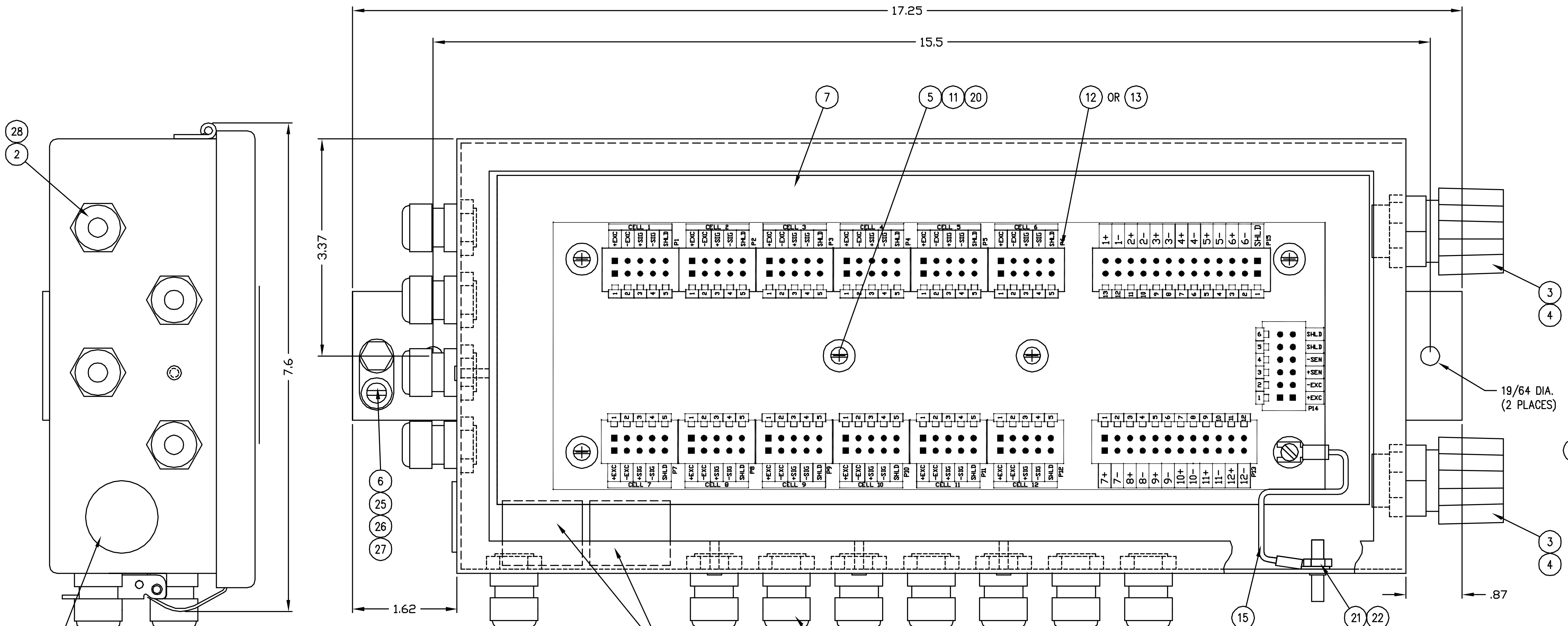


REVISION RECORD			
LTR	DESCRIPTION	DATE	BY
A	RELEASE FOR PRODUCTION	12,5,06	23691 EMJ
B	ADDED -2A ASSEMBLY	11,14,07	24187 EMJ



- NOTES:
1. REMOVE THE CLOTH DESICCANT PACK (ITEM 18) FROM ITS SILVER SHIPPING PACK, DISCARD THE SILVER SHIPPING PACK. APPLY ADHESIVE TAPE (ITEM 19) CUT 1" LONG TO THE LABEL ON THE CLOTH DESICCANT PACK AND APPLY THIS ASSEMBLY TO THE INSIDE BOTTOM (2 PLACES).
  2. PLACE ITEM 9, NOTICE PAPER INSIDE THE JUNCTION BOX.
  3. USE ITEM 23 (SILICON SEAL) ON ITEM 17 (HOLE PLUG). PLACE RUBBER SEAL ON THE OUTSIDE OF THE J-BOX, USE SILICON SEAL ON BOTH SIDES OF THE RUBBER SEAL.
  4. TO INSTALL GASKET (ITEM 10) PLACE GASKET FLUSH WITH THE HINGE SIDE OF THE JUNCTION BOX COVER, CENTER GASKET SIDE TO SIDE IN THE JUNCTION BOX COVER.

QTY.	REF.	REF.	REF.	ITEM	PART/DWG. NUMBER	DESCRIPTION	MATERIAL OR SOURCE	WT. EACH
12	12	12	28	6540-1104	PLASTIC HOLE PLUG			
1	1	1	27	6013-0047	1/4-20 HEX NUT		S.S.	
1	1	1	26	6024-0040	1/4 SPLIT L-WASHER		S.S.	
1	1	1	25	6007-0016	HEX HEAD BOLT		1/4-20 x 1/2" S.S.	
1	1	1	24	6650-0087	LABEL: MADE IN USA		X	
---	A/R	A/R	23	6560-0041	SILICON SEALER		X	
1	1	1	22	6013-0296	10-24 HEX NUT		S.S.	
1	1	1	21	6024-0037	#10 SPLIT L-WASHER		S.S.	
16	16	16	20	6680-0004	#6 STARWASHER		X	
2"	2"	2"	19	6580-0025	ADHESIVE TAPE		2 PIECES CUT 1" LONG	
2	2	2	18	6560-0064	DESICCANT PACK		X	
0	2	1	17	3502-B217-0A	HOLE PLUG		X	
REF.	REF.	REF.	16	3502-A395-PS	PROD. SPEC.		ACTIVATING DESICCANT PACK	
1	1	1	15	3502-B110-0A	GROUND WIRE ASSY		X	
1	1	1	14	593GR986	SERIAL TAG			
---	1	---	13	3502-D478-1A	6 CELL TRIM BD.		X	
1	---	1	12	3502-D478-0A	12 CELL TRIM BD.		X	
12	12	12	11	6021-0608	PAN HEAD SCREW		6-32 x 3/8 LONG	
1	1	1	10	3502-B428-08	GASKET		X	
1	1	1	9	3502-A350-0S	NOTICE PAPER		SEE NOTE 2	
4	4	4	8	6021-0643	6-32 x 1/4 PHMS		X	
1	1	1	7	3502-C348-08	SUB-PANEL		X	
1	1	1	6	6610-5006	GROUND LUG		X	
6	6	6	5	6680-0001	THREADED SPACER		6-32 X 1.38 LONG	
3	1	2	4	6680-0015	SEAL NUT		X	
3	1	2	3	6610-2235	GLAND CONNECTOR		X	
12	12	12	2	6610-2248	GLAND CONNECTOR		X	
1	1	1	1	3502-D427-0A	JUNCTION BOX SS		X	

UNLESS OTHERWISE SPECIFIED TOLERANCES ON DIMENSIONS ARE: ANGLES ± 1/2°; INTEGERS/FRACTIONS ± 1/16 IN.; DECIMALS (.X) ± .03 IN.; DECIMALS (.XX) ± .01 IN.; DECIMALS (.XXX) ± .005 IN. NOTE: WHOLE NUMBERS MUST BE WRITTEN XX,000 TO INVOLVE DECIMAL TOLERANCES.

SCALE 1=1 DO NOT SCALE DRAWING NEXT ASSEMBLY

THIS DRAWING IS THE PROPERTY OF THE CARDINAL SCALE MFG. CO. AND SHALL NOT BE USED NOR REPRODUCED EITHER WHOLLY OR IN PART EXCEPT WITH WRITTEN AUTHORIZATION. ALL RIGHTS OF DESIGN OR INVENTION ARE RESERVED.

**Cardinal**  
Cardinal Scale Manufacturing Co.  
CARDINAL DETECTOR FULLER WEIGHING SYSTEMS

TITLE: ASSEMBLY: 12 CELL TRANSIENT SUPPRESSION JUNCTION BOX

DR. EMJ DATE 11/16/06  
CH. bs DATE 12/5/06

MODEL SCA SHEET 1 OF 1 DWG. NO. 3502-D484-0A REV. B