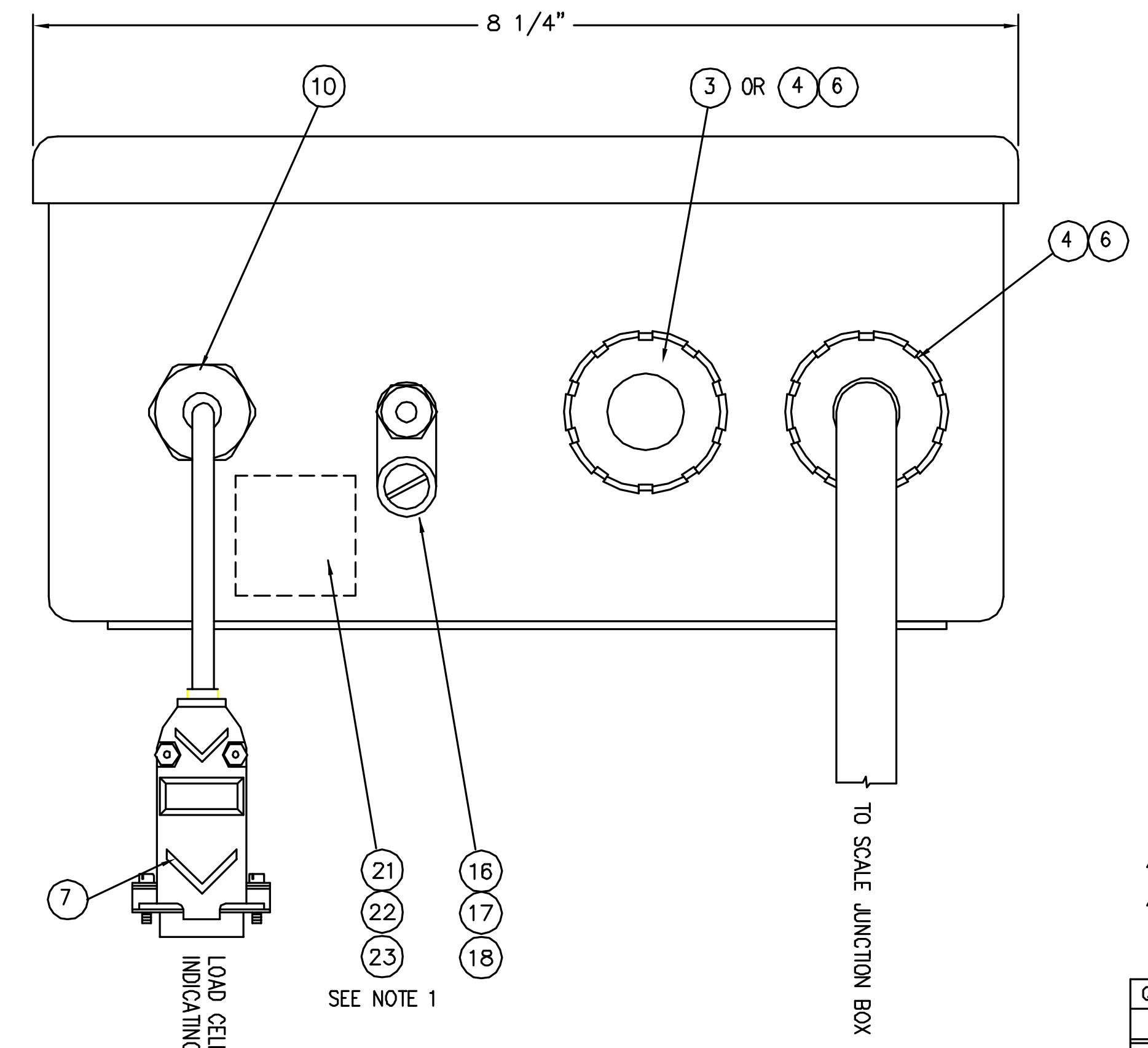
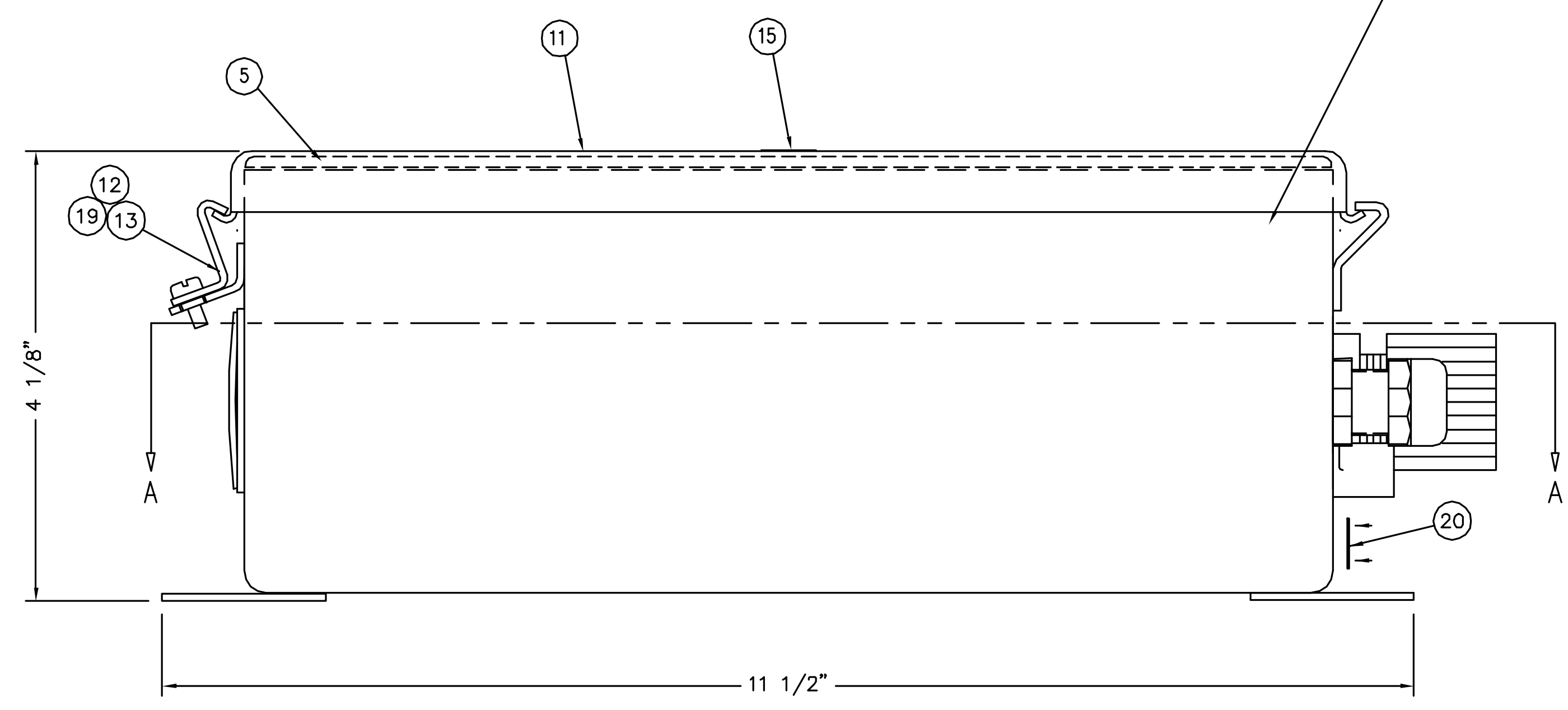
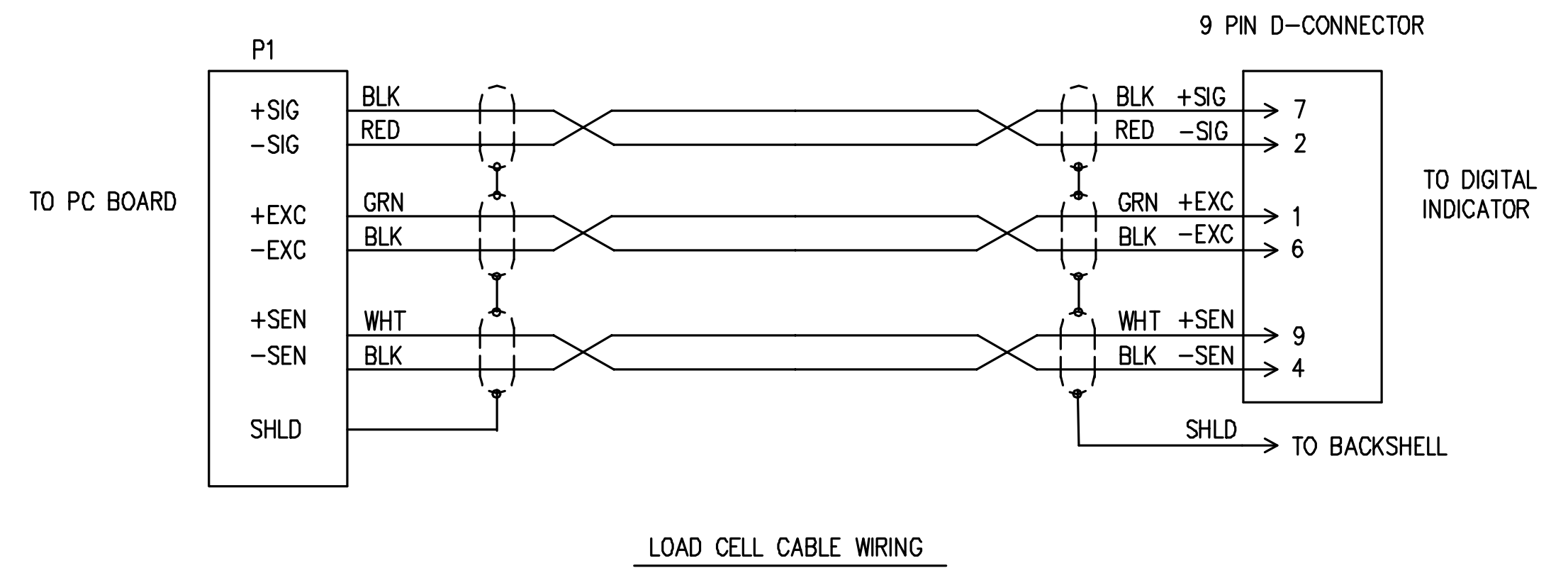
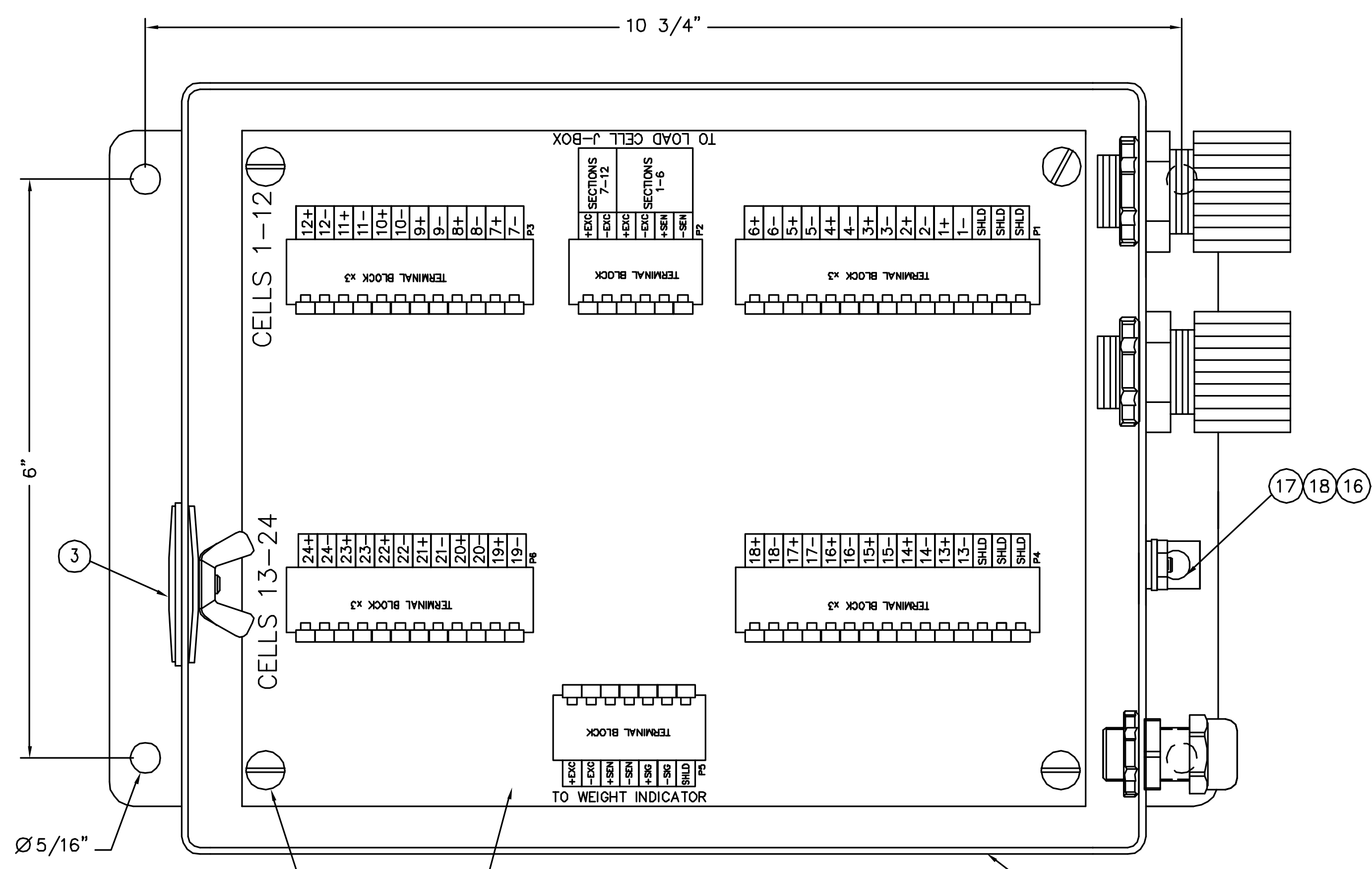


REVISION RECORD			
LTR	DESCRIPTION	DATE	BY
A	RELEASE TO PRODUCTION	11,16,06	23691 EMJ
B	ITEM 15 WAS 584GR986	1/2/07	23752 EMJ
TYP0: ADDED OVERALL & MNTG. DIMS. TO J-BOX W/OUT CHANGING BOX SIZE. 7/3/07 EMJ			
C	REVERSED QUANTITIES ON ITEMS 3 & 4.	11,16,07	24192 EMJ



1"	1"	23	6560-0025	ADHESIVE TAPE	
1	1	22	6560-0064	DESICCANT PACK	
REF.	REF.	21	3502-A395-PS	PROD. SPEC.	ACTVG. DESICCANT PACK
1	1	20	6650-0087	U.S.A. STICKER	
2	2	19	6680-0030	1/4 NYLON WASHER	
1	1	18	6013-0295	#10-32 HEX NUT	
1	1	17	6024-0037	#10 LOCKWASHER, S.S.	
1	1	16	6610-5006	GROUND LUG	
0.5	0.5	15	3502-A502-PS	SERIAL TAG	
4	4	14	6021-1061	#10-32X.25" FHMS	
2	2	13	8530-C088-08	S. S. CLAMP	
2	2	12	6021-0699	1/4-28X.63" FHMS	
1	1	11	3502-C482-08	J-BOX COVER	
1	1	10	6610-2248	GLAND CONNECTOR	
1	--	9	3502-D477-1A	PCB: SECT. SEAL/TRIM	24 CELL
4	4	8	6024-1010	WASHER, #10 INT. STAR	
1	1	7	3502-B501-0A	CABLE	
2	1	6	6680-0015	CONDUIT 1/2" SEAL NUT	
1	1	5	3502-B486-08	GASKET	
2	1	4	6610-2235	GLAND CONNECTOR	
1	2	3	3502-B217-1A	HOLE PLUG S.S.	
--	1	2	3502-D477-0A	PCB: SECT. SEAL/TRIM	12 CELL
1	1	1	3502-D483-0A	WELDMENT, JCT. BOX	

QTY.	QTY.	QTY.	ITEM	PART/DWG. NUMBER	DESCRIPTION	MATERIAL OR SOURCE	WT. EACH
	-1A	-0A	ASSY				
	24	12	CELL				

UNLESS OTHERWISE SPECIFIED TOLERANCE ON DIMENSIONS ARE:			
ANGLES	± 1/2°		
INTEGERS/FRACTIONS	± 1/16 IN.		
DECIMALS (.X)	± .03 IN.		
DECIMALS (.XX)	± .01 IN.		
DECIMALS (.XXX)	± .005 IN.		
NOTE: WHOLE NUMBERS MUST BE WRITTEN XX.000 TO INVOLVE DECIMAL TOLERANCES.			
THIS DRAWING IS THE PROPERTY OF THE CARDINAL SCALE MFG. CO. AND SHALL NOT BE USED NOR REPRODUCED EITHER WHOLLY OR IN PART EXCEPT WITH WRITTEN AUTHORIZATION. ALL RIGHTS OF DESIGN OR INVENTION ARE RESERVED.			
TITLE		SECTION SEAL/TRIM JUNCTION BOX	
SCALE		FULL	
DR. EMJ		DATE 11/16/06	
CH. bs		DATE 11/16/06	
MODEL		DWG. NO. 3502-D503-0A	
SHEET 1 OF 1		REV. C	

NOTES:
 1. REMOVE THE CLOTH DESICCANT PACK (ITEM 22) FROM ITS SILVER SHIPPING PACK, DISCARD THE SILVER SHIPPING PACK. APPLY ADHESIVE TAPE (ITEM 23) TO THE LABEL ON THE CLOTH DESSICANT PACK & APPLY THIS ASSEMBLY TO THE INSIDE BOTTOM AS SHOWN.