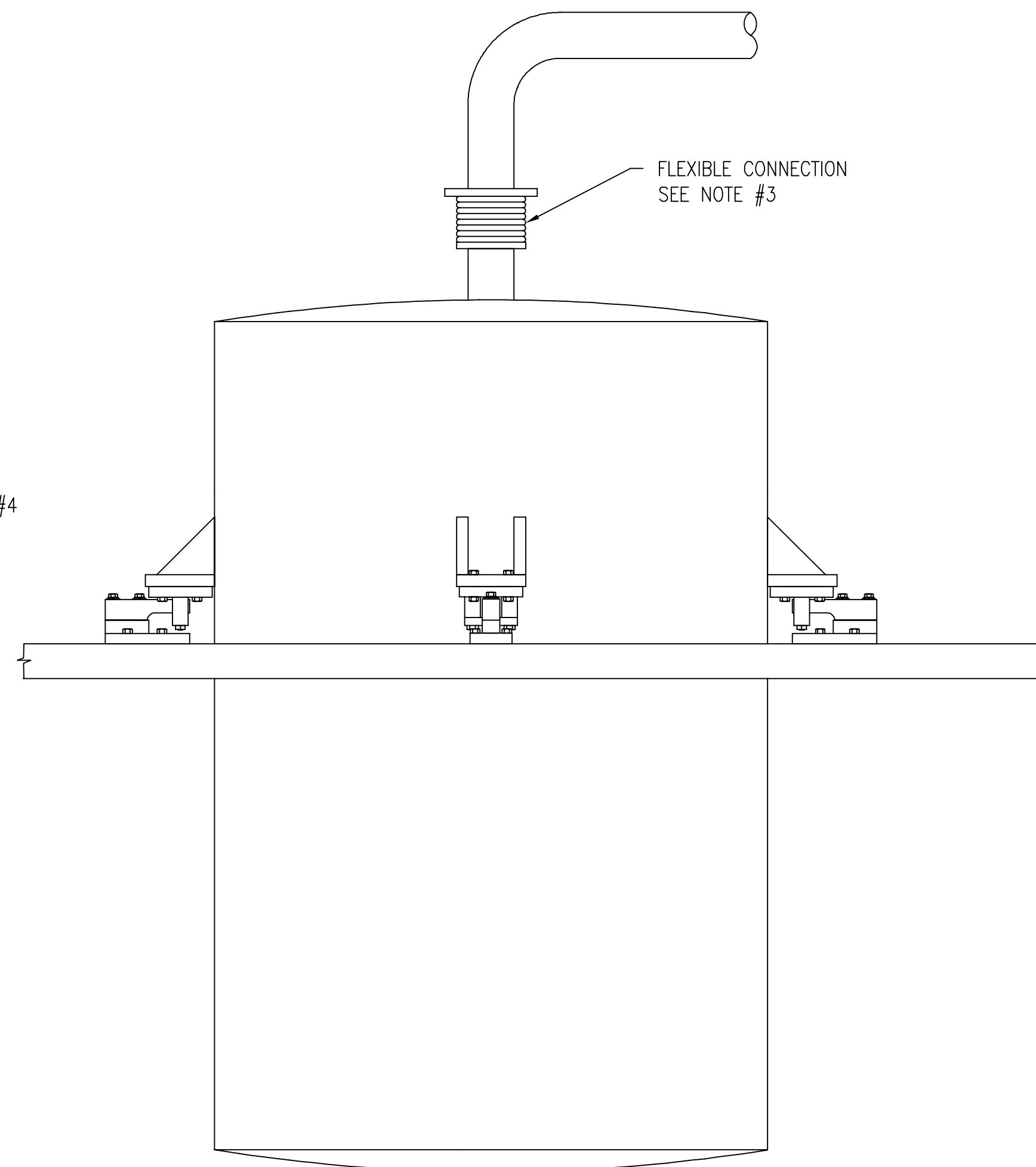
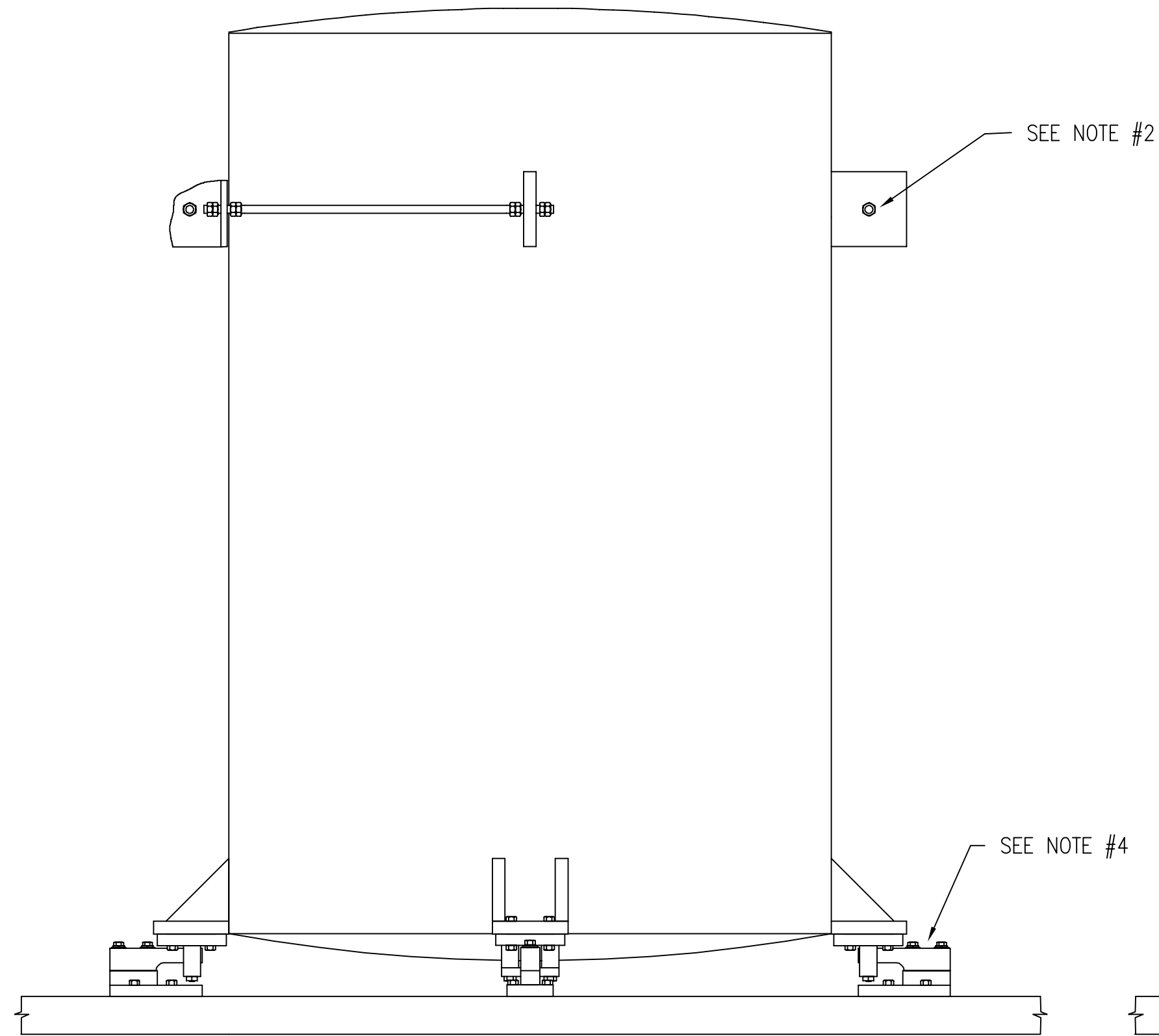
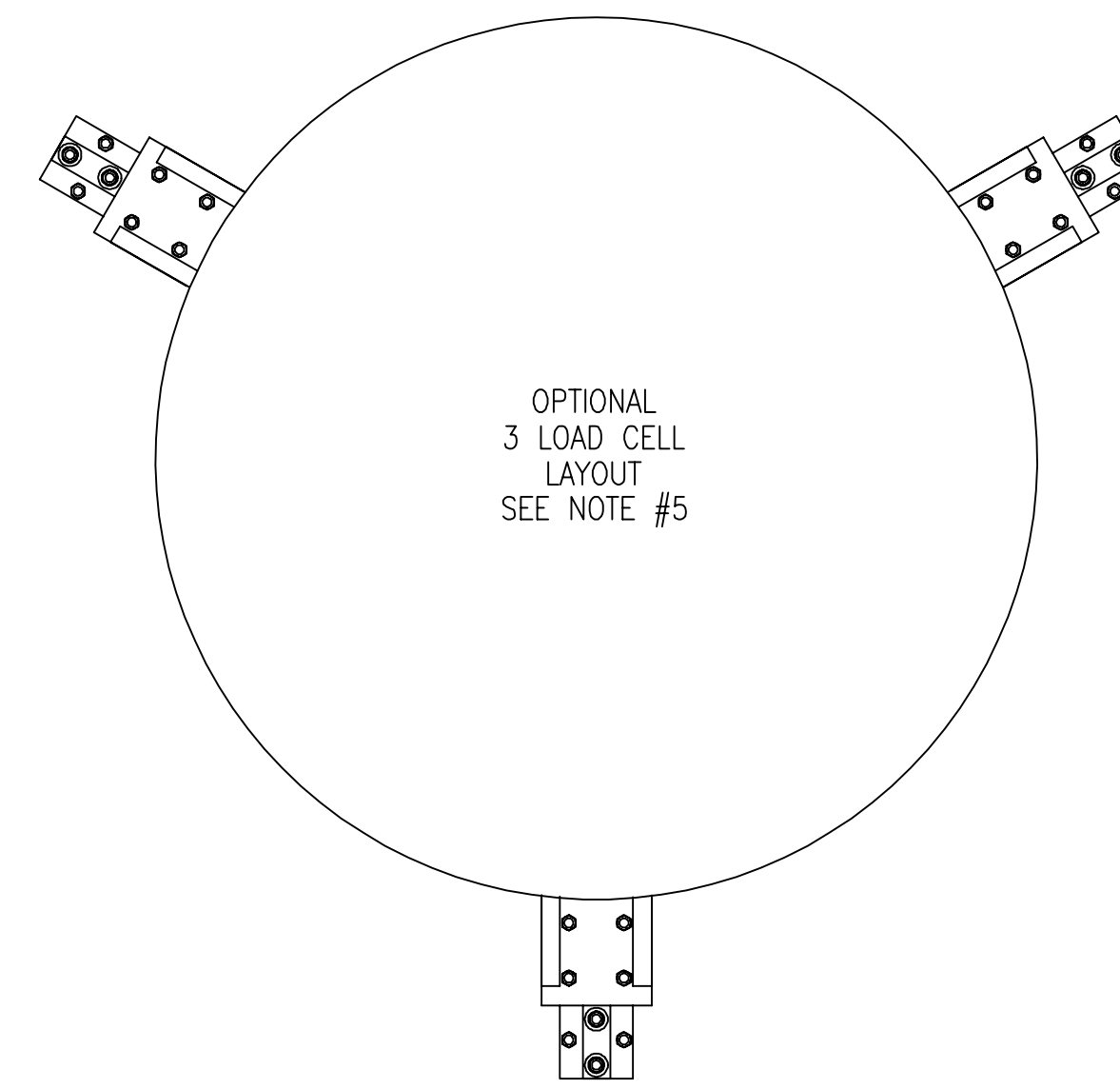
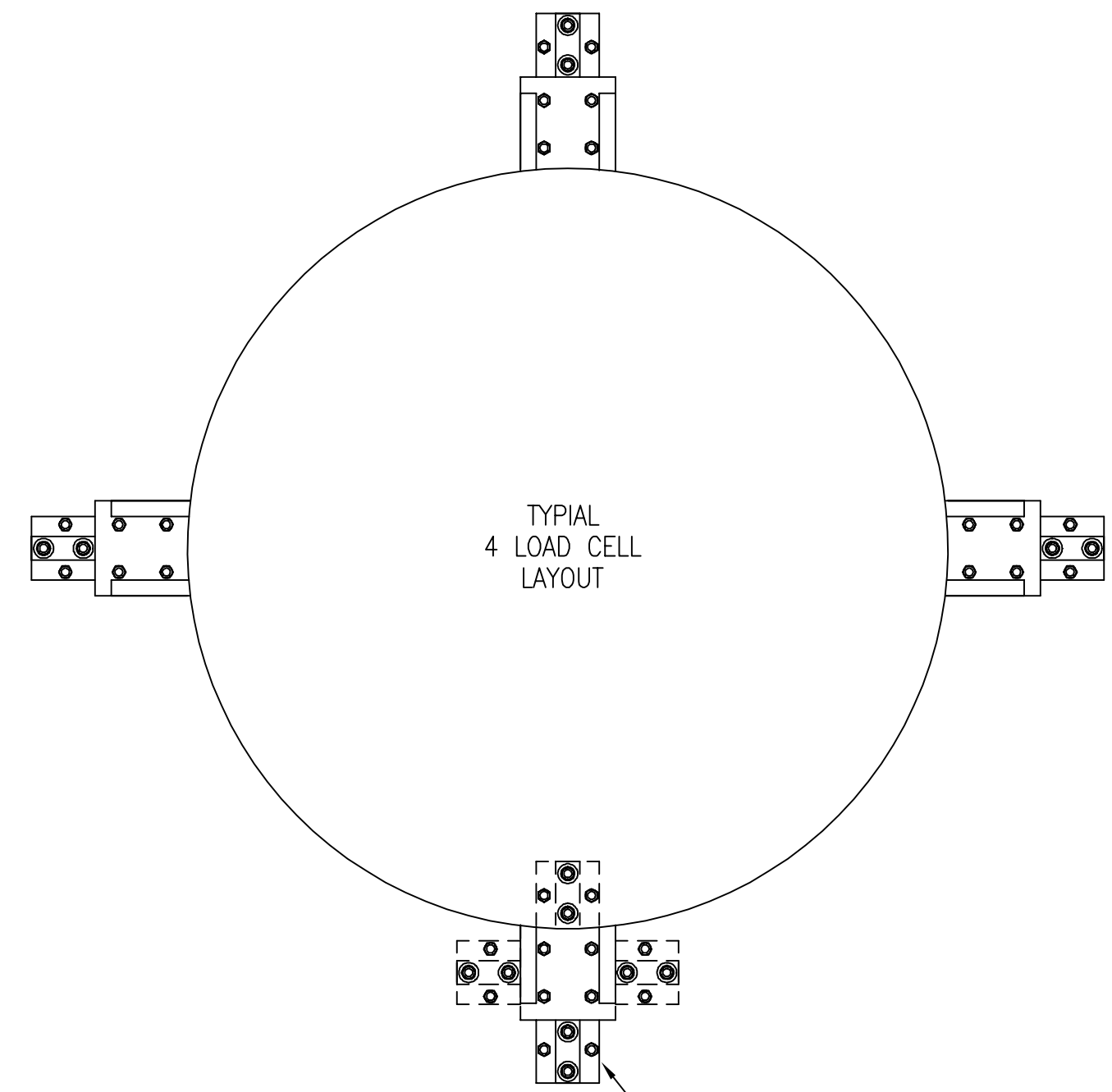
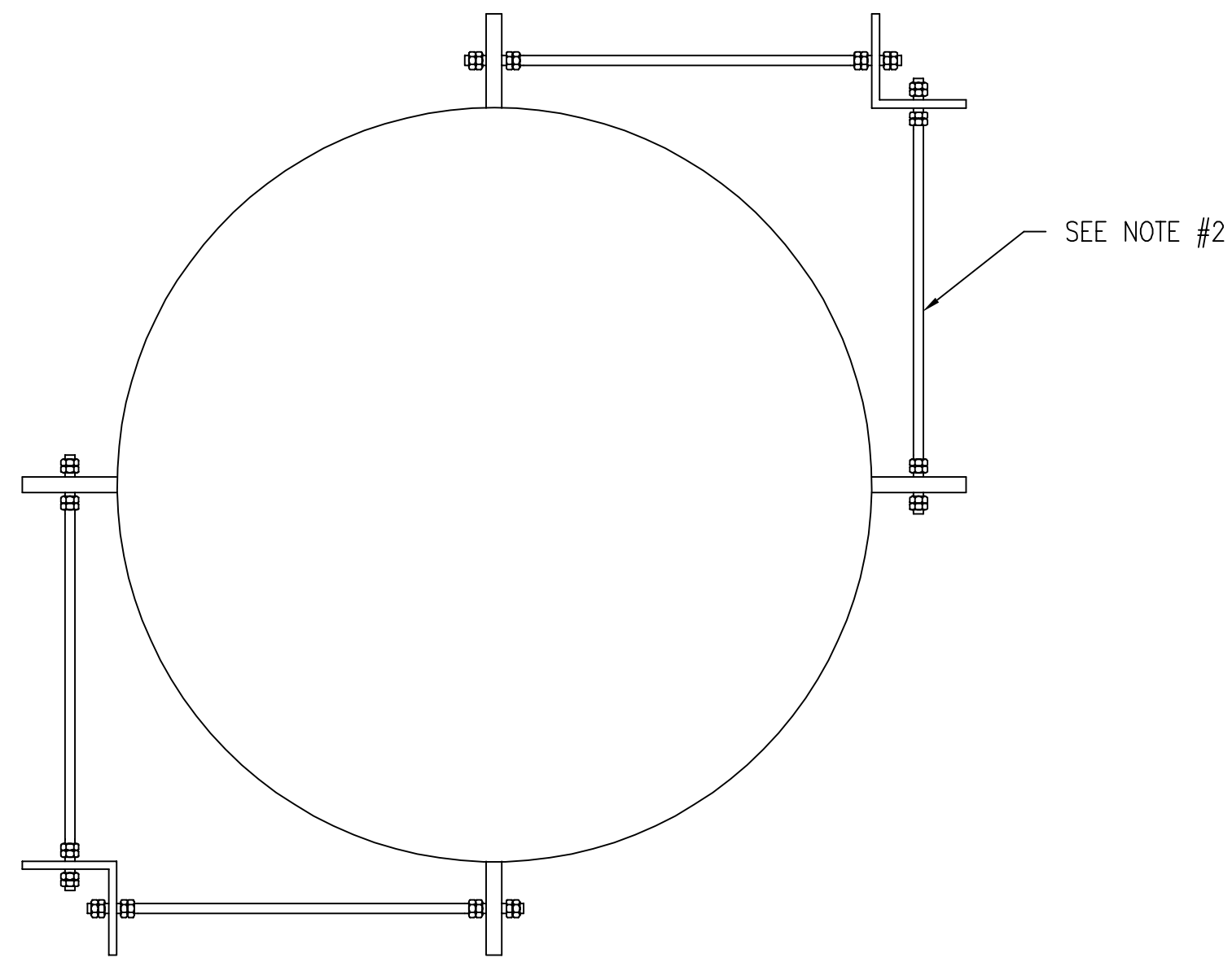



REVISION RECORD			
LTR	DESCRIPTION	DATE	BY
A	REDRAWN ON AUTOCAD WITH REVISED MODEL NUMBERS BLOCK	3/21/91	11735 JAT
B	3500-B154-0A/B153-0A WAS 3500-B092-0A MODEL NUMBERS WERE SB-XXXXSW	6/13/07	23071 GPL



GENERAL NOTES:

1. TYPICAL INSTALLATION AS SHOWN, FOR REFERENCE ONLY. CONSULT FACTORY FOR SPECIFIC INSTALLATIONS.
2. THE PURCHASERS OF FLOOR STAND TANK SCALES ARE ADVISED TO INSTALL SAFETY STAY RODS. CARDINAL SCALE MANUFACTURING CO. WILL NOT BE RESPONSIBLE FOR THE STABILITY OF THE TANK.
3. IT IS RECOMMENDED THAT ALL PIPE CONNECTIONS, TO TANK, BE FLEXIBLE. (CONSULT FACTORY FOR PIPING FLEXIBILITY.)
4. PROVIDE FIRM, LEVEL SURFACE FOR LOAD CELL MOUNTING. LOAD CELLS MAY BE ROTATED TO SUIT CUSTOMER'S SPECIFIC INSTALLATION.
5. THREE CELL SYSTEMS ARE RECOMMENDED FOR LIQUID WEIGHMENTS.
6. FOR APPLICATIONS WHICH REQUIRE PERIODIC DEAD WEIGHT CALIBRATIONS, WEIGH LIFTING LUGS ARE TO BE PROVIDED ON TANK.
7. CONSULT FACTORY FOR SPECIAL APPLICATIONS AND/OR INSTALLATIONS.
8. CELLS ARE FURNISHED WITH 10' OF CABLE.
9. REFERENCE DRAWING 3500-B153-0A FOR SB-2500S AND SB-5000S LOAD CELLS AND 3500-B154-0A FOR SB-10000S, SB-20000S SHEAR BEAM CELL STAND DIMENSIONAL OUTLINE DRAWINGS.

MAT'L.	STAND MODEL	CELL	
		CAPACITY	MODEL
STAINLESS STEEL	SBCSS-NC20	10,000 lb	SB10000S
		20,000 lb	SB20000S
	SBCSS-NC5	2,500 lb	SB2500S
MILD STEEL	SBCS-NC20	5,000 lb	SB5000S
		10,000 lb	SB10000S
	SBCS-NC5	20,000 lb	SB20000S
		2,500 lb	SB2500S
		5,000 lb	SB5000S

QTY.	QTY.	QTY.	ITEM	PART/DWG. NUMBER	DESCRIPTION	MATERIAL OR SOURCE	WT. EACH
			ASSY				
			WT.				
PARTS/MATERIAL LIST							
UNLESS OTHERWISE SPECIFIED TOLERANCE ON DIMENSIONS ARE: ANGLES ± 1/2° INTEGERS/FRACTIONS ± 1/16 IN. DECIMALS (.x) ± .03 IN. DECIMALS (.xx) ± .01 IN. DECIMALS (.xxx) ± .005 IN. NOTE: WHOLE NUMBERS MUST BE WRITTEN XX.000 TO INVOKE DECIMAL TOLERANCES.				 Cardinal <small>WEIGH DIV. - MISSOURI, U.S.A. 184870</small> CARDINAL DETECTO FULLER WEIGHING SYSTEMS			
TYPICAL VERTICAL TANK APPLICATION FOR SHEAR BEAM LOAD CELLS							
SCALE	1 = 10	DO NOT SCALE DRAWING	NEXT ASSEMBLY				
DR.	JAT	DATE	12/19/85				
CH.	G.G.	DATE	1/6/86	*3500-D033-0A*			
MODEL		SHEET	1 OF 1	DWG. NO.	3500-D033-0A	REV.	B