

 *Cardinal*®

**ARMOR**®  
TRUCK SCALES



Cardinal Scale  
Armor® model  
13570-EPR  
electronic truck scale  
with optional guide rails





Cardinal Scale  
Armor® model  
13570-EPR-C  
concrete deck  
truck scale



## SUPERIOR-STRENGTH TRUCK WEIGHING

As the name implies, Cardinal's Armor® Truck Scales provide you with superior-strength, long-life steel construction for optimum vehicle weighing. The Armor's durable baked-on, anti-corrosion tan powder paint stands the test of time. The NTEP legal-for-trade Armor® arrives fully-prepared for installation and includes DB75000 lb stainless steel load cells standard, which are factory assembled. A wide selection of Armor® capacities, platform sizes, and types are available from Cardinal Scale.

Each Armor® scale bridge features interconnecting load blocks and receivers for an efficient, no-bolt installation. Rodent protection is standard throughout the scale via conduit integral throughout each scale module. Every Armor® truck scale is 100% assembled and tested in the Cardinal factory before shipping to your location.



## SMART DESIGN. BUILT STRONG.

### The Evolution of Truck Scale Construction Durability

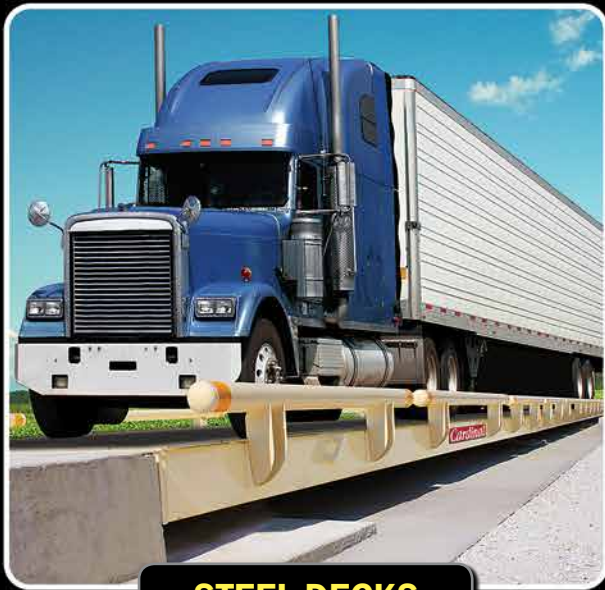
Cardinal Scale's truck scale manufacturing experience dates back to the 1930's, and the Armor® is a result of continuous improvements in building long-lasting, high-capacity vehicle scales.



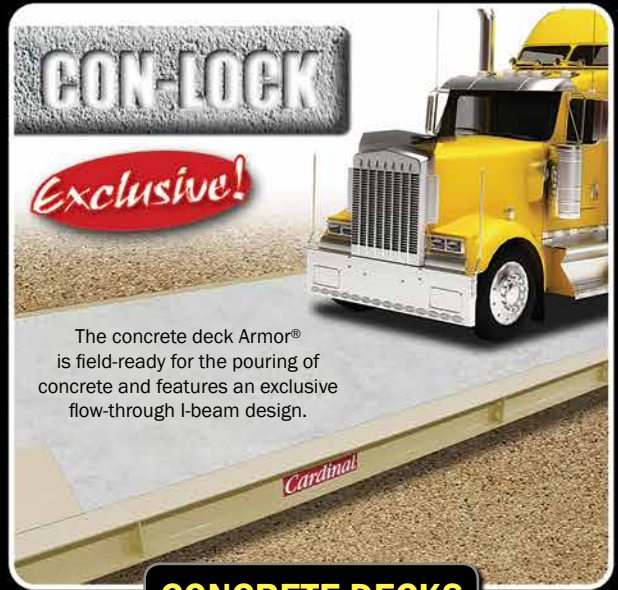
- Stainless steel load cells and junction box.
- Junction box controls in the scale house or at the truck scale.
- Single source supplier for all optional equipment such as weight indicators, remote displays, and software.
- Concrete or steel deck models.
- Optional grain dump modules.
- NTEP legal-for-trade up to 14 ft. wide.
- Anti-corrosion industrial tan powder paint compliments any environment.
- Arrives fully-prepared for installation.







**STEEL DECKS**



**CONCRETE DECKS**

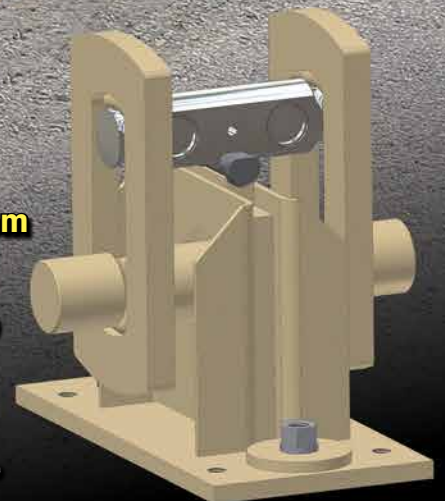
The concrete deck Armor® is field-ready for the pouring of concrete and features an exclusive flow-through I-beam design.



Cardinal Scale Armor® model 13570-EPR electronic truck scale with optional guide rails

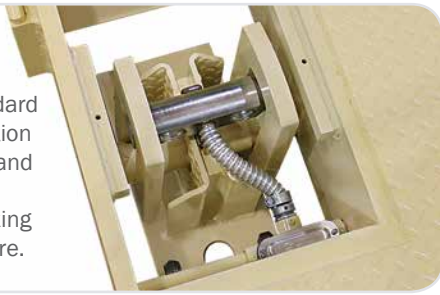
**The Armor's Reliable Double-Link Suspension System**

- Ships pre-installed from the factory
- Facilitates free-floating deck
- Self-centering (even distribution of load)
- Stainless steel load cells
- Minimal jacking for service or repair
- No load cell rotation under load
- Heavy-duty construction
- Hardened wear components for long life

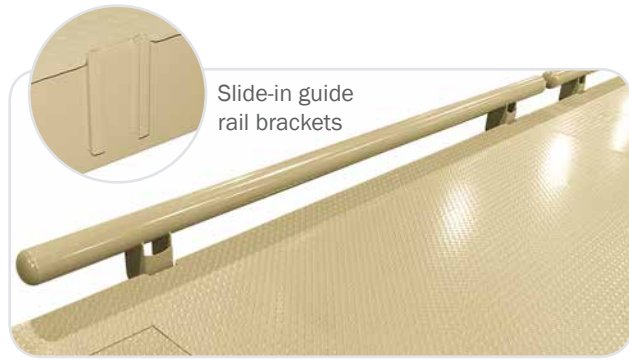


# ARMOR® FEATURES

The Armor® features standard rodent protection via both rigid and flexible steel conduits, making it a snap to wire.

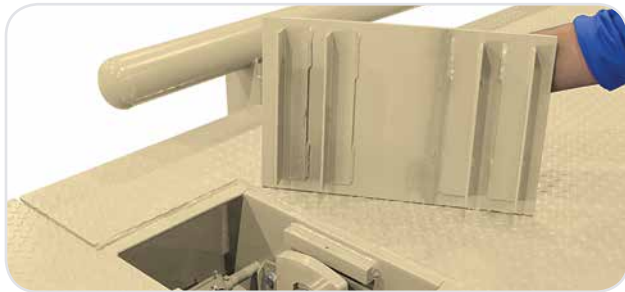


Slide-in guide rail brackets



## HIGH-CAPACITY LOAD CELL COMPONENTS

The Armor's load cell stands ship from the factory already installed to allow for rapid installations out in the field.



## EASY-LIFT, NO-BOLT ACCESS COVERS

Heavy-duty cover plates allow access to the load cells and junction box while providing total protection of components.

## OPTIONAL STURDY GUIDE RAILS (steel deck shown)

The steel deck Armor® features flush-mounted, drop-in, no-bolt guide rail brackets standard.



## MACHINED PRECISION MANUFACTURING

The Armor's interconnecting scale decks are fabricated with precision-cut machined components for exacting quality.

# ADDITIONAL EQUIPMENT



## SNAPSTREAM WIRELESS SYSTEMS

SnapStream is a fully-integrated NTEP legal-for-trade wireless truck scale system that can save on installation costs.



## ICAN DIGITAL JUNCTION BOX

The iCan intelligent junction box features analog to digital conversion for real-time load cell diagnostics and monitoring.



## UNATTENDED SYSTEMS / WEIGHT INDICATORS

Cardinal offers a selection of weight indicators and un-manned weighing systems to complement your scale.



## REMOTE DISPLAYS - TRAFFIC COORDINATION

Cardinal's giant SB500 has 5-inch-high, dual-row LED digits for long-distance visibility of truck scale weights up to 250 ft.



## Armor® Steel Deck Truck Scales | 45-Ton CLC, 11-ft Wide

Model	Platform Size	Capacity (Tons)	CLC (Tons)	Sections	Shipping Weight
4512-EPR	12 ft x 11 ft	45	45	2	6,236 lb
4520-EPR	20 ft x 11 ft	45	45	2	9,400 lb
4525-EPR	25 ft x 11 ft	45	45	2	12,500 lb
7030-EPR	30 ft x 11 ft	70	45	3	13,580 lb
7040-EPR	40 ft x 11 ft	70	45	3	17,700 lb
8050-EPR	50 ft x 11 ft	80	45	3	22,500 lb
11060-EPR	60 ft x 11 ft	110	45	4	26,000 lb
13570-EPR	70 ft x 11 ft	135	45	4	29,600 lb
13575-EPR	75 ft x 11 ft	135	45	4	31,500 lb
13580-EPR	80 ft x 11 ft	135	45	5	34,400 lb
13590-EPR	90 ft x 11 ft	135	45	5	38,000 lb
135100-EPR	100 ft x 11 ft	135	45	6	42,800 lb
135110-EPR	110 ft x 11 ft	135	45	6	47,200 lb
135117-EPR	117 ft x 11 ft	135	45	6	50,200 lb
135120-EPR	120 ft x 11 ft	135	45	6	52,500 lb
135125-EPR	125 ft x 11 ft	135	45	6	54,000 lb

## Armor® Steel Deck Truck Scales | 30-Ton CLC, 11-ft Wide

Model	Platform Size	Capacity (Tons)	CLC (Tons)	Sections	Shipping Weight
3012-EPR	12 ft x 11 ft	30	30	2	5,500 lb
3020-EPR	20 ft x 11 ft	30	30	2	9,600 lb
3025-EPR	25 ft x 11 ft	30	30	2	11,200 lb
3030-EPR	30 ft x 11 ft	30	30	3	12,800 lb
6040-EPR	40 ft x 11 ft	60	30	3	15,200 lb
6047-EPR	47 ft x 11 ft	60	30	3	18,500 lb
7050-EPR	50 ft x 11 ft	70	30	3	19,200 lb
10060-EPR	60 ft x 11 ft	100	30	4	22,300 lb
10070-EPR	70 ft x 11 ft	100	30	4	25,400 lb
10075-EPR	75 ft x 11 ft	100	30	4	28,700 lb
10080-EPR	80 ft x 11 ft	100	30	5	30,000 lb
10090-EPR	90 ft x 11 ft	100	30	5	33,000 lb
100100-EPR	100 ft x 11 ft	100	30	6	36,500 lb
100110-EPR	110 ft x 11 ft	100	30	6	40,800 lb
100117-EPR	117 ft x 11 ft	100	30	6	44,900 lb
100120-EPR	120 ft x 11 ft	100	30	6	45,000 lb
100125-EPR	125 ft x 11 ft	100	30	6	48,300 lb

## Armor® Steel Deck Truck Scales | 45-Ton CLC, 14-ft Wide

Model	Platform Size	Capacity (Tons)	CLC (Tons)	Sections	Shipping Weight
8050-EPR14	50 ft x 14 ft	80	45	4	29,500 lb
11060-EPR14	60 ft x 14 ft	110	45	5	34,100 lb
13570-EPR14	70 ft x 14 ft	135	45	5	38,850 lb
13580-EPR14	80 ft x 14 ft	135	45	6	43,600 lb

\* **CLC = Concentrated Load Capacity:** The maximum axle-load concentration for a group of two axles with a center line spaced 4' apart and an axle width of 8' that can safely be applied to the scale.

**Other sizes and capacities readily available.** Please consult the Cardinal Scale factory for more options.

# CONCRETE DECK MODELS

## Armor® Concrete Deck Truck Scales | 45-Ton CLC, 11-ft Wide

Model	Platform Size	Capacity (Tons)	CLC (Tons)	Sections	Shipping Weight
4512-EPR-C	12 ft x 11 ft	45	45	2	4,500 lb
4520-EPR-C	20 ft x 11 ft	45	45	2	6,300 lb
4525-EPR-C	25 ft x 11 ft	45	45	2	7,125 lb
5030-EPR-C	30 ft x 11 ft	50	45	3	8,000 lb
7040-EPR-C	40 ft x 11 ft	70	45	3	11,100 lb
8050-EPR-C	50 ft x 11 ft	80	45	3	13,400 lb
11060-EPR-C	60 ft x 11 ft	110	45	4	16,550 lb
13570-EPR-C	70 ft x 11 ft	135	45	4	17,500 lb
13580-EPR-C	80 ft x 11 ft	135	45	5	20,233 lb
13590-EPR-C	90 ft x 11 ft	135	45	5	23,300 lb
135100-EPR-C	100 ft x 11 ft	135	45	6	26,000 lb
135110-EPR-C	110 ft x 11 ft	135	45	6	27,170 lb
135117-EPR-C	117 ft x 11 ft	135	45	6	28,900 lb
135120-EPR-C	120 ft x 11 ft	135	45	6	31,384 lb

## Armor® Concrete Deck Truck Scales | 45-Ton CLC, 12-ft Wide

Model	Platform Size	Capacity (Tons)	CLC (Tons)	Sections	Shipping Weight
11060-EPR12-C	60 ft x 12 ft	110	45	4	16,200 lb
13570-EPR12-C	70 ft x 12 ft	135	45	4	19,200 lb
13580-EPR12-C	80 ft x 12 ft	135	45	5	22,300 lb
13590-EPR12-C	90 ft x 12 ft	135	45	5	24,800 lb

## Armor® Concrete Deck Truck Scales | 45-Ton CLC, 14-ft Wide

Model	Platform Size	Capacity (Tons)	CLC (Tons)	Sections	Shipping Weight
8050-EPR14-C	50 ft x 14 ft	80	45	4	16,550 lb
11060-EPR14-C	60 ft x 14 ft	110	45	5	19,700 lb
13570-EPR14-C	70 ft x 14 ft	135	45	5	21,874 lb
13580-EPR14-C	80 ft x 14 ft	135	45	6	25,010 lb
13590-EPR14-C	90 ft x 14 ft	135	45	6	28,250 lb

\* **CLC = Concentrated Load Capacity:** The maximum axle-load concentration for a group of two axles with a center line spaced 4' apart and an axle width of 8' that can safely be applied to the scale.

**Other sizes and capacities readily available.** Please consult the Cardinal Scale factory for more options.

### CERTIFICATIONS

The Armor® Truck Scale meets or exceeds Class III/IIIL, 10,000 division accuracy requirements in accordance with NIST Handbook 44. A Certificate of Compliance Number **97-093** has been issued under the National Type Evaluation Program (NTEP) of the National Conference on Weights and Measures.



Notice of Approval  
AM-4890



Cardinal Scale reserves the right to improve, enhance or modify features and specifications without prior notice. All registered trademarks are the property of their respective owners.

**Cardinal**  
Cardinal Scale Manufacturing Co.  
203 E. Daugherty, Webb City, MO 64870 USA  
Pb: 417-673-4631 or 800-441-4237 • Fax: 417-673-5001  
[www.CardinalScale.com](http://www.CardinalScale.com)

**Mobile:** [m.cardinalscale.com](http://m.cardinalscale.com)

### SOLD BY: